



MS2010LC SERIES ~ Wire Wound Ferrite Chip Inductor



PART NUMBERING SYSTEM

MS	2010LC	—	1 R 0	—	LF
TYPE	DIMENSIONS		INDUCTANCE		LEAD FREE

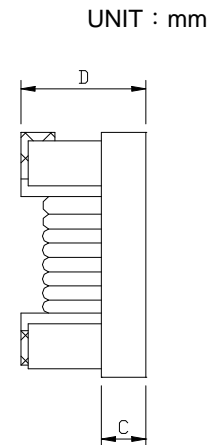
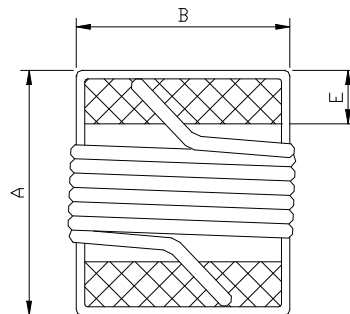
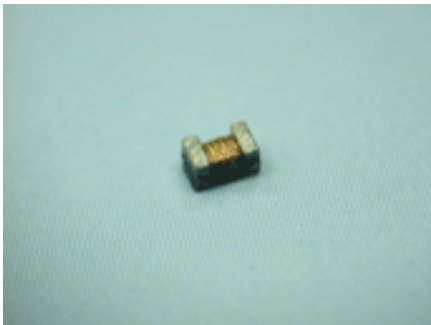
FEATURES :

1. Low profile 1.00mm Max.
2. MS2012LC products conforms to the standards that are slated to be introduced under the RoHS Directive.
3. Applications for Audio-visual equipment , cable modems , ADSL , mobile base stations .

ENVIRONMENTAL DATA :

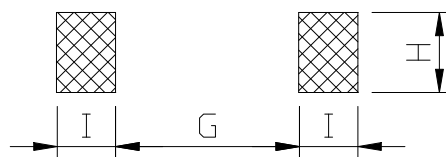
1. Operating temperature range : - 40°C to + 85°C including self-temperature rise
2. Storage temperature range : - 40°C to + 85°C

SHAPES AND DIMENSIONS



A=2.4 Max. B=1.78 Max. C=0.70 Ref. D=1.0 Max. E=0.50±0.1

RECOMMENDED PATTERNS



G=0.76 H=1.78 I=1.02



Coilmaster Electronics Co., Ltd.

9F-3 No.398, Huan Bei Rd. Chung Li City, Taoyuan 320, Taiwan
Tel : +886-3-422-8279 Fax : +886-3-422-8734

E-mail : info@coilmaster.com.tw

Web Site : www.coilmaster.com.tw

MS2010LC SERIES ~ Wire Wound Ferrite Chip Inductor



RoHS Compliant

SPECIFICATION TABLE

PART NUMBER	INDUCTANCE (μ H)	TOLERANCE	Q. MIN.	SRF (MHz) MIN.	DCR (Ω) (Typ.)	IDC (mA) (max)
MS2010LC-1R0□-LF	1.0@7.9MHz	K, M	14@7.9MHz	440	0.45	1150
MS2010LC-1R5□-LF	1.5@7.9MHz	K, M	14@7.9MHz	170	0.55	1100
MS2010LC-1R8□-LF	1.8@7.9MHz	K, M	14@7.9MHz	115	0.57	1050
MS2010LC-2R2□-LF	2.2@7.9MHz	K, M	13@7.9MHz	100	0.77	1000
MS2010LC-3R3□-LF	3.3@7.9MHz	K, M	12@7.9MHz	54	0.93	840
MS2010LC-3R9□-LF	3.9@7.9MHz	K, M	14@7.9MHz	44	1.00	800
MS2010LC-4R7□-LF	4.7@7.9MHz	K, M	14@7.9MHz	38	1.35	740
MS2010LC-6R8□-LF	6.8@7.9MHz	K, M	12@7.9MHz	33	1.63	640
MS2010LC-8R2□-LF	8.2@7.9MHz	K, M	12@7.9MHz	30	1.97	580
MS2010LC-100□-LF	10@2.5MHz	K, M	11@7.9MHz	28	2.34	500
MS2010LC-150□-LF	15@2.5MHz	K, M	11@7.9MHz	20	3.84	400
MS2010LC-220□-LF	22@2.5MHz	K, M	10@7.9MHz	15	5.79	340

※ Inductance, Q and SRF are measured in HP-E4991A impedance analyzer with HP-16197A fixture.

※ Inductance Tolerance : J=5%, K=10%, M=20%.

※ RDC is measured in Chroma 16502 mill ohm meter.(or equivalent)

※ IDC For inductance drop 10% from it's value without current .

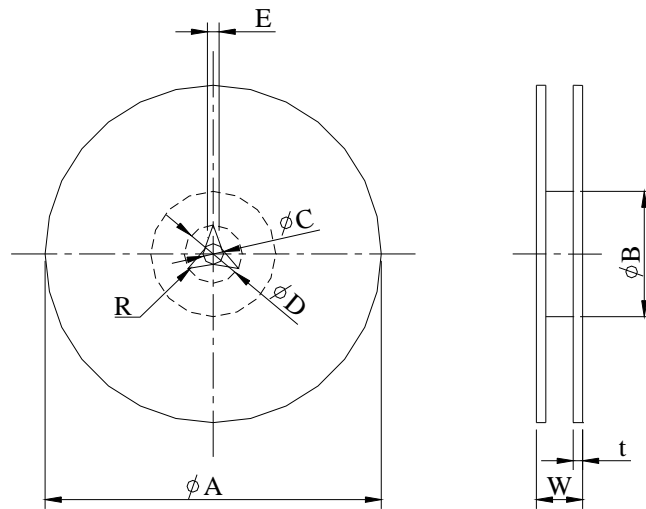


MS2010LC SERIES ~ Wire Wound Ferrite Chip Inductor

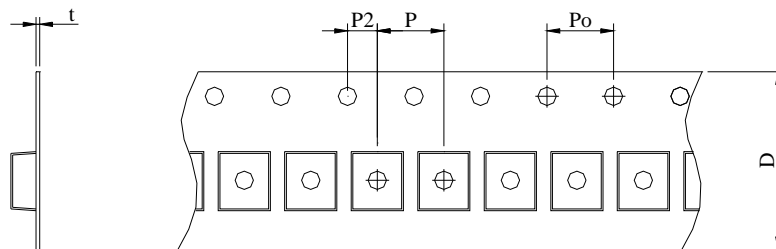


RoHS Compliant

PACKAGING SPECIFICATION



	A	B	C	D	E	W	t	R
T($\phi 180\text{mm}$) Reel	$\phi 180$	$\phi 60$	$\phi 13$	—	—	14.4	—	—



TYPE	Reel/pcs	P	P _o	P ₂	t	D
MS2010LC	2000	4	4	2	1	8