



MS2520LC SERIES ~ Wire Wound Ferrite Chip Inductor

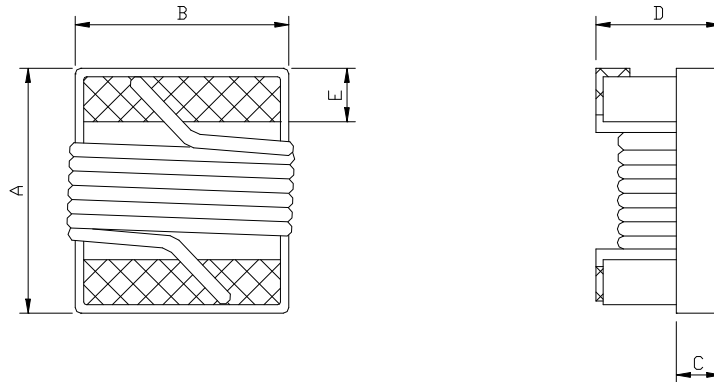


PART NUMBERING SYSTEM

<u>MS</u>	<u>2520LC</u>	—	<u>1R0K</u>	—	<u>LF</u>
TYPE	DIMENSIONS		INDUCTANCE		LEAD FREE

SHAPES AND DIMENSIONS

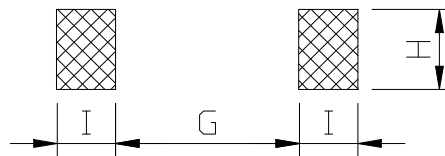
UNIT : mm



A=2.9 Max. B=2.54 Max. C=1.3 Ref. D=2.03 Max. E=0.50±0.1

RECOMMENDED PATTERNS

UNIT : mm



G=1.27 H=2.54 I=1.02



Coilmaster Electronics Co., Ltd.

9F-3 No.398, Huan Bei Rd. Chung Li City, Taoyuan 320, Taiwan
Tel : +886-3-422-8279 Fax : +886-3-422-8734

E-mail : info@coilmaster.com.tw

Web Site : www.coilmaster.com.tw

MS2520LC SERIES ~ Wire Wound Ferrite Chip Inductor



RoHS Compliant

SPECIFICATION TABLE

PART NUMBER	INDUCTANCE (uH)	TOLERANCE	Q. Min.	SRF (MHz) Min.	DCR (Ω) (Max.)	Idc (mA) (Max.)	Irms (mA) (Typ.)
MS2520LC-R47□-LF	0.47@25MHz	J,K	35@25MHz	460	0.20	2400	1100
MS2520LC-R82□-LF	0.82@25MHz	J,K	35@25MHz	360	0.35	1800	1000
MS2520LC-1R0□-LF	1.0@7.9MHz	J,K	32@7.9MHz	340	0.34	2100	900
MS2520LC-1R2□-LF	1.2@7.9MHz	J,K	25@7.9MHz	290	0.25	1900	860
MS2520LC-1R5□-LF	1.5@7.9MHz	J,K	32@7.9MHz	230	0.42	1800	740
MS2520LC-1R8□-LF	1.8@7.9MHz	J,K	27@7.9MHz	180	0.45	1700	720
MS2520LC-2R2□-LF	2.2@7.9MHz	J,K	27@7.9MHz	140	0.50	1500	700
MS2520LC-3R3□-LF	3.3@7.9MHz	J,K	27@7.9MHz	125	0.60	1300	540
MS2520LC-3R9□-LF	3.9@7.9MHz	J,K	27@7.9MHz	100	0.80	1200	480
MS2520LC-4R7□-LF	4.7@7.9MHz	J,K	27@7.9MHz	90	0.90	1100	400
MS2520LC-6R8□-LF	6.8@7.9MHz	J,K	27@7.9MHz	60	1.05	950	420
MS2520LC-8R2□-LF	8.2@7.9MHz	J,K	25@7.9MHz	55	1.20	850	380
MS2520LC-100□-LF	10@2.5MHz	J,K	23@2.5MHz	55	1.55	800	240
MS2520LC-150□-LF	15@2.5MHz	J,K	23@2.5MHz	36	2.38	650	200
MS2520LC-220□-LF	22@2.5MHz	J,K	23@2.5MHz	29	2.92	550	180
MS2520LC-330□-LF	33@2.5MHz	J,K	23@2.5MHz	21	4.10	450	140
MS2520LC-470□-LF	47@2.5MHz	J,K	23@2.5MHz	15	7.80	320	100

※ Inductance Q and SRF are measured in HP-E4991A impedance analyzer with HP-16197A fixture.

※ Inductance tolerance : J=5%, K=10%.

※ RDC is measured in Chroma 16502 mill ohm meter.(or equivalent)

※ IDC For inductance drop 10% from it's value without current .

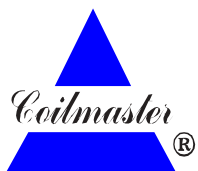
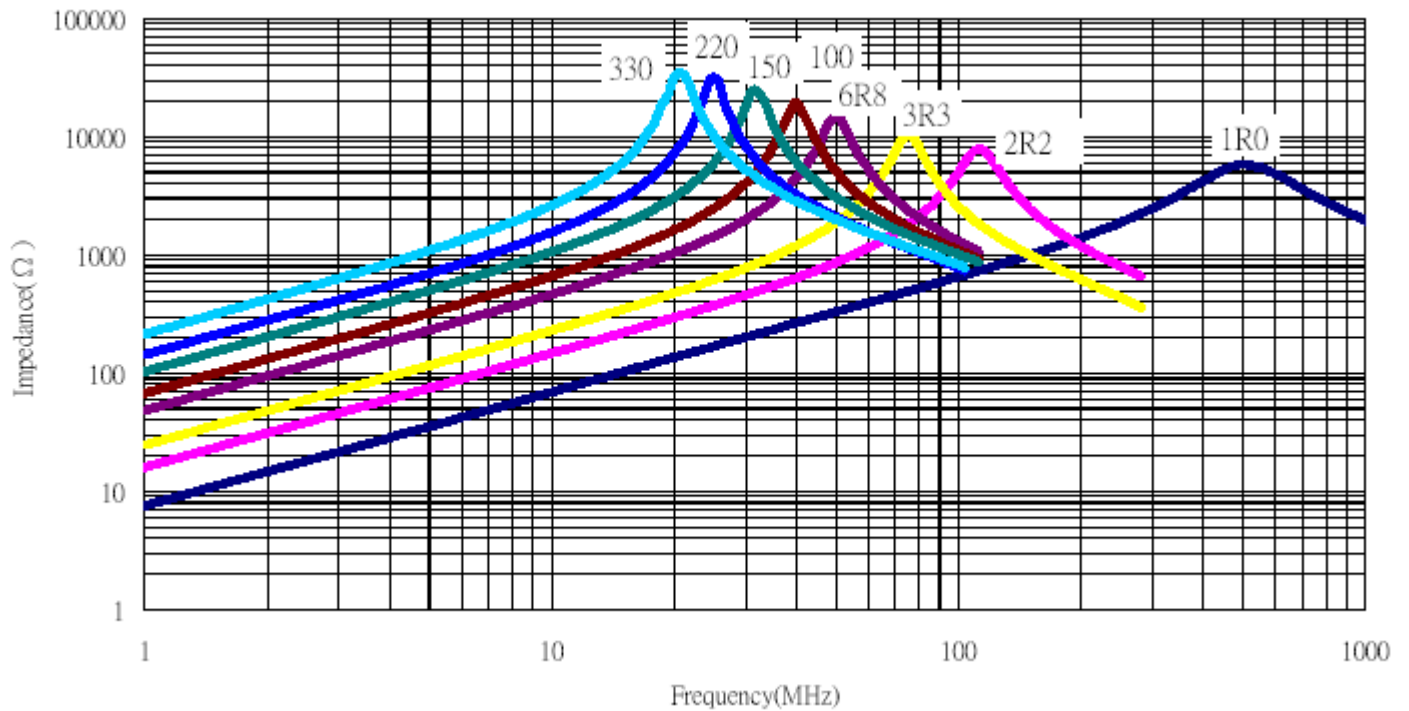
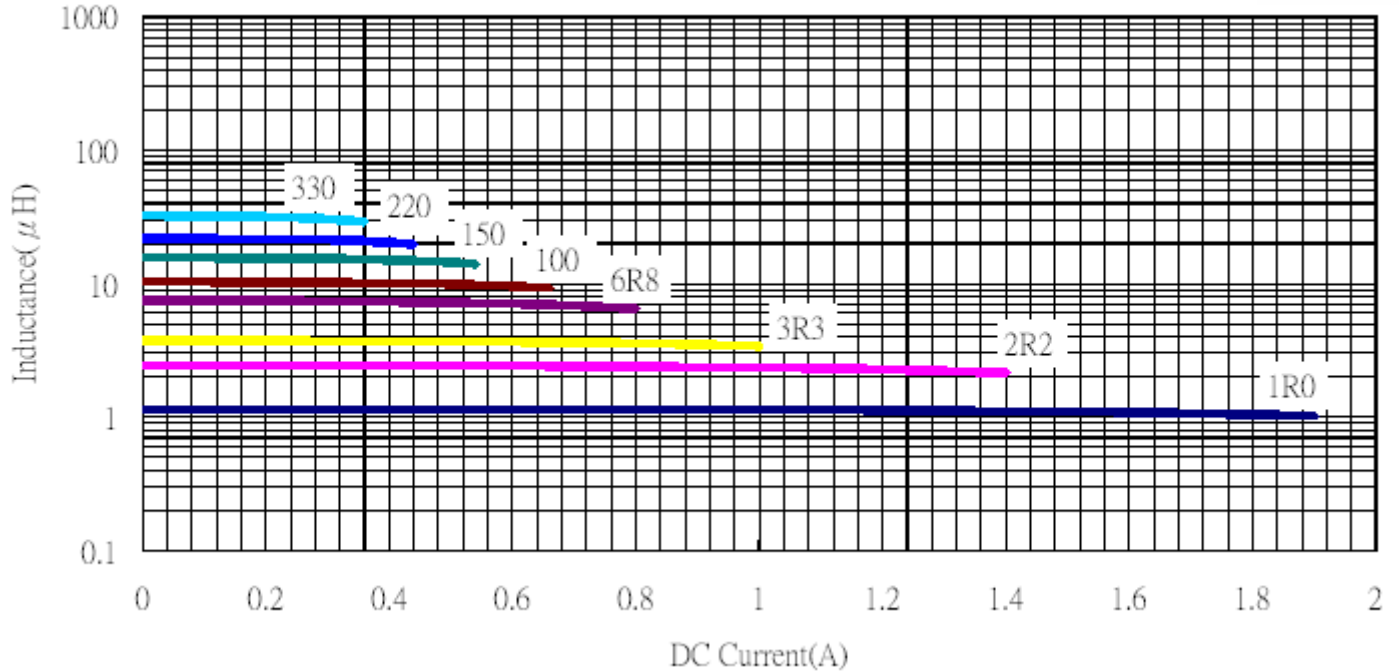


MS2520LC SERIES ~ Wire Wound Ferrite Chip Inductor



RoHS Compliant

CURVE

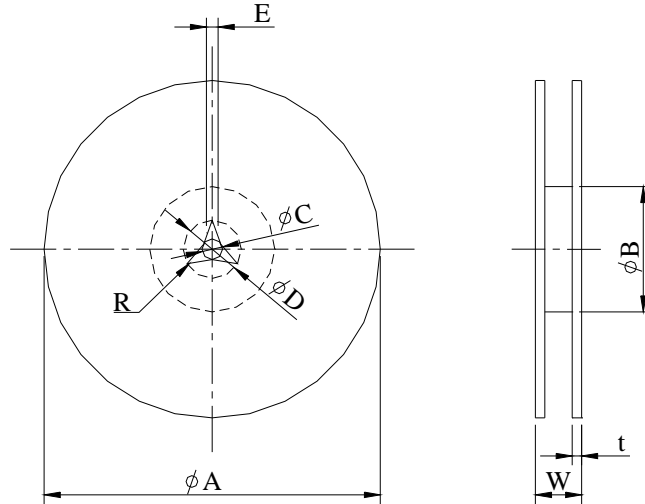


MS2520LC SERIES ~ Wire Wound Ferrite Chip Inductor

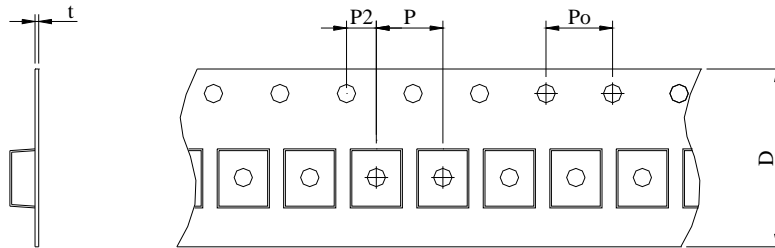


RoHS Compliant

PACKAGING SPECIFICATION



	A	B	C	D	E	W	t	R
T($\phi 180\text{mm}$) Reel	$\phi 180$	$\phi 60$	$\phi 13$	—	—	14.4	—	—



TYPE	Reel/pcs	P	P _o	P ₂	t	D
MS2520LC-LF	2000	4	4	2	1	8