



MS2520LHQ SERIES ~ Wire Wound Ferrite Chip Inductors



RoHS Compliant

PART NUMBERING SYSTEM

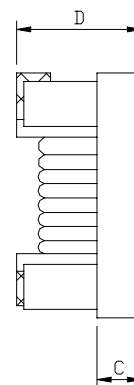
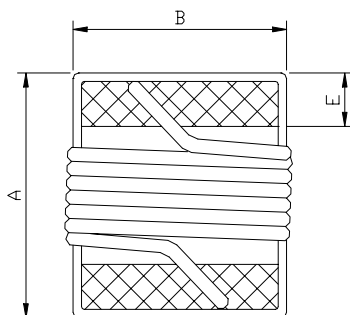
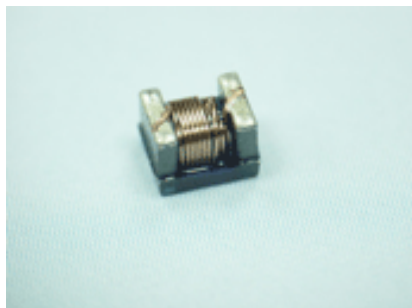
| | | | | | |
|-----------|----------------|---|----------------|---|-----------|
| MS | 2520LHQ | — | 6 R 8 K | — | LF |
| TYPE | DIMENSIONS | | INDUCTANCE | | LEAD FREE |

FEATURES :

1. Utilizing a miniaturized winding structure.
2. **Very high Q factors** – far higher than non-wire wound types
3. Inductance values from 1.0 **uH to 100 uH**
4. **Excellent current carrying** capacity for their size
5. Applications for personal computers , hard disk drives , xDSL / Cable modem and other electronic equipment .
6. **RoHS-compliant** 260°C compatible.

SHAPES AND DIMENSIONS

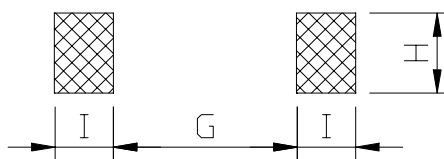
UNIT : mm



A=2.90 Max. B=2.8 Max. C=0.8 Ref. D=2.6 Max. E=0.55±0.1

RECOMMENDED PATTERNS

UNIT : mm



G=1.78 H=2.80 I=1.02



MS2520LHQ SERIES ~ Wire Wound Ferrite Chip Inductors



RoHS Compliant

SPECIFICATION TABLE

| PART NUMBER | INDUCTANCE (uH) | TOLERANCE | Q. MIN. | SRF (MHz) MIN. | DCR (Ω) (max) | IDC (mA) (max) |
|-------------------|--------------------|-----------|------------|-------------------|---------------------------|-------------------|
| MS2520LHQ-1R0□-LF | 1.0 @7.96MHz | J,K | 55@50MHz | 380 | 0.50 | 1500 |
| MS2520LHQ-1R2□-LF | 1.2 @7.96MHz | J,K | 48@50MHz | 350 | 0.50 | 1200 |
| MS2520LHQ-1R5□-LF | 1.5 @7.96MHz | J,K | 48@50MHz | 300 | 0.65 | 1200 |
| MS2520LHQ-1R8□-LF | 1.8 @7.96MHz | J,K | 45@50MHz | 280 | 0.75 | 1050 |
| MS2520LHQ-2R2□-LF | 2.2 @7.96MHz | J,K | 40@50MHz | 250 | 0.90 | 950 |
| MS2520LHQ-2R7□-LF | 2.7 @7.96MHz | J,K | 40@50MHz | 200 | 1.00 | 950 |
| MS2520LHQ-3R3□-LF | 3.3 @7.96MHz | J,K | 45@50MHz | 200 | 1.15 | 900 |
| MS2520LHQ-3R9□-LF | 3.9 @7.96MHz | J,K | 32@7.96MHz | 170 | 1.40 | 850 |
| MS2520LHQ-4R7□-LF | 4.7 @7.96MHz | J,K | 31@7.96MHz | 130 | 1.35 | 700 |
| MS2520LHQ-5R6□-LF | 5.6 @7.96MHz | J,K | 31@7.96MHz | 110 | 1.45 | 700 |
| MS2520LHQ-6R8□-LF | 6.8 @7.96MHz | J,K | 28@7.96MHz | 105 | 1.60 | 600 |
| MS2520LHQ-8R2□-LF | 8.2 @7.96MHz | J,K | 32@7.96MHz | 85 | 1.80 | 550 |
| MS2520LHQ-100□-LF | 10 @7.96MHz | J,K | 32@7.96MHz | 85 | 2.40 | 500 |
| MS2520LHQ-120□-LF | 12 @2.52MHz | J,K | 32@7.96MHz | 70 | 2.60 | 500 |
| MS2520LHQ-150□-LF | 15 @2.52MHz | J,K | 32@7.96MHz | 64 | 2.85 | 450 |
| MS2520LHQ-180□-LF | 18 @2.52MHz | J,K | 34@7.96MHz | 55 | 3.10 | 420 |
| MS2520LHQ-220□-LF | 22 @2.52MHz | J,K | 34@7.96MHz | 48 | 4.35 | 400 |
| MS2520LHQ-270□-LF | 27 @2.52MHz | J,K | 30@7.96MHz | 45 | 4.90 | 350 |
| MS2520LHQ-330□-LF | 33 @2.52MHz | J,K | 25@7.96MHz | 30 | 5.50 | 320 |
| MS2520LHQ-390□-LF | 39 @2.52MHz | J,K | 28@7.96MHz | 37 | 7.65 | 320 |
| MS2520LHQ-470□-LF | 47 @2.52MHz | J,K | 31@7.96MHz | 30 | 8.55 | 280 |
| MS2520LHQ-560□-LF | 56 @2.52MHz | J,K | 28@7.96MHz | 22 | 9.50 | 250 |
| MS2520LHQ-680□-LF | 68 @2.52MHz | J,K | 25@7.96MHz | 20 | 11.0 | 220 |
| MS2520LHQ-820□-LF | 82 @2.52MHz | J,K | 20@7.96MHz | 17 | 12.5 | 200 |
| MS2520LHQ-101□-LF | 100 @1.00MHz | J,K | 23@7.96MHz | 14 | 13.8 | 170 |

1. Inductance, Q and SRF are measured in HP-4284A & HP-E4991A impedance analyzer with HP-16197A fixture
2. Inductance Tolerance : K=10%, M=20%.
3. RDC is measured in Chroma 16502 mill ohm meter.(or equivalent) .

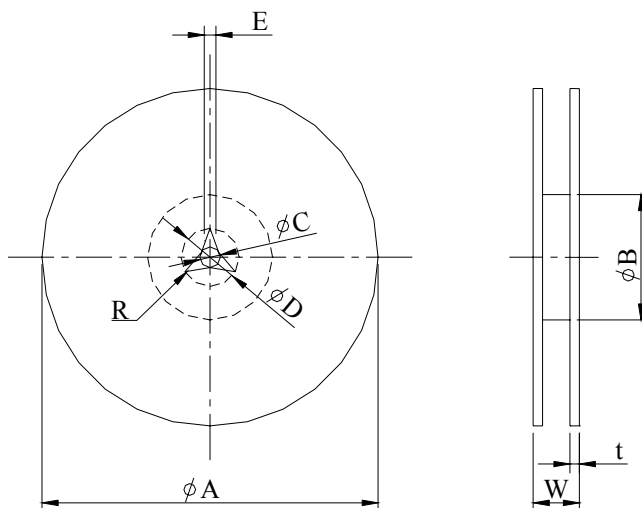


MS2520LHQ SERIES ~ Wire Wound Ferrite Chip Inductors

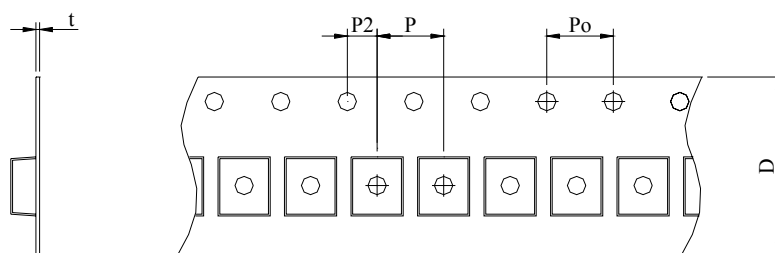


RoHS Compliant

PACKAGING SPECIFICATION



| | A | B | C | D | E | W | t | R |
|--------------------------|------------|-----------|-----------|---|---|------|---|---|
| T(ϕ 178mm) Reel | ϕ 180 | ϕ 60 | ϕ 13 | — | — | 14.4 | — | — |



| TYPE | Reel/pcs | P | Po | P2 | t | D |
|-----------|----------|---|----|----|---|---|
| MS2520LHQ | 2000 | 4 | 4 | 2 | 1 | 8 |