



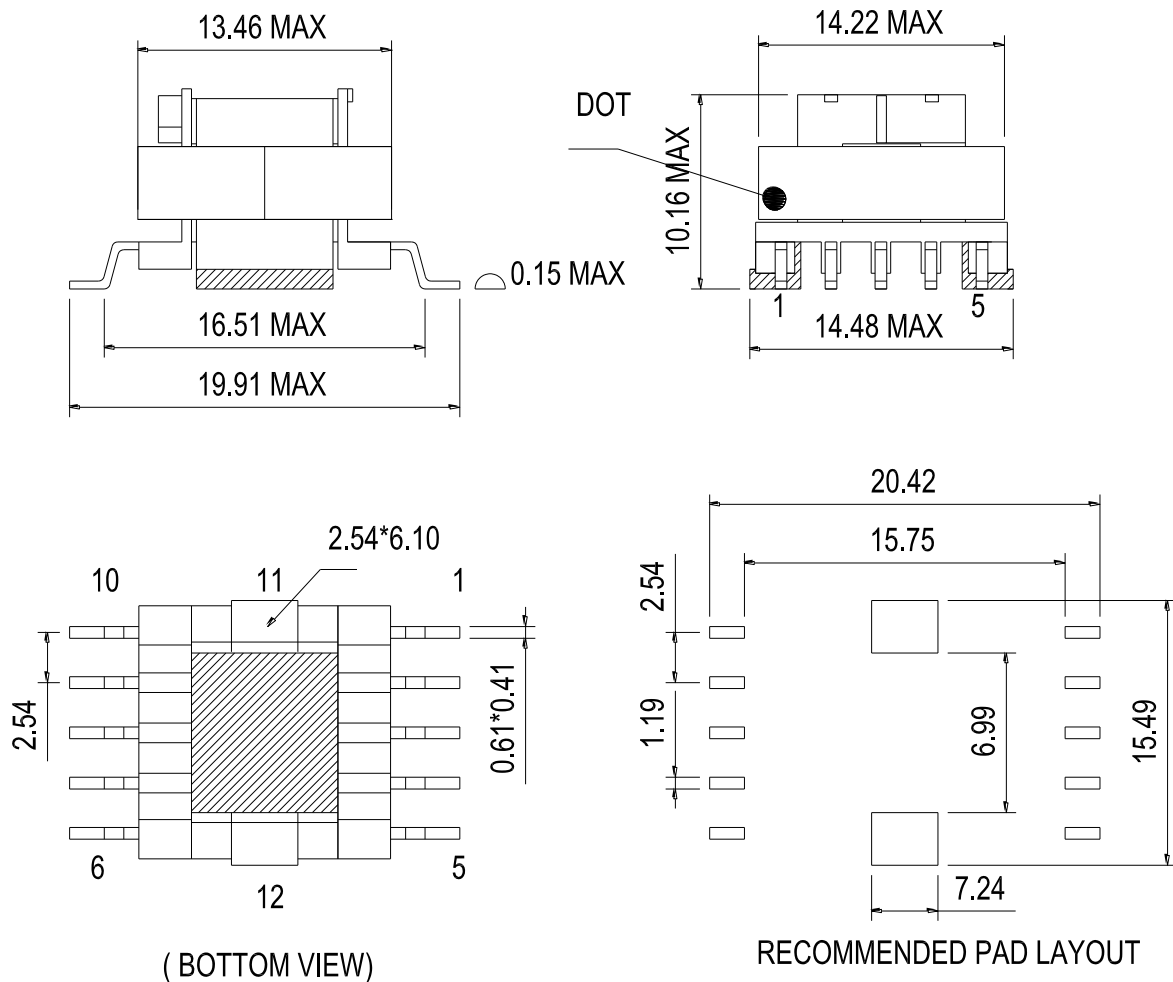
SMD Current Sense Transformer ~ EF12.6XFS-LF SERIES

PART NUMBERING SYSTEM



RoHS Compliant

SHAPES AND DIMENSIONS



Our specification limit the quality of the component to a single unit.
Please ensure the component is thoroughly evaluated in your application circuit
Revised May 2021

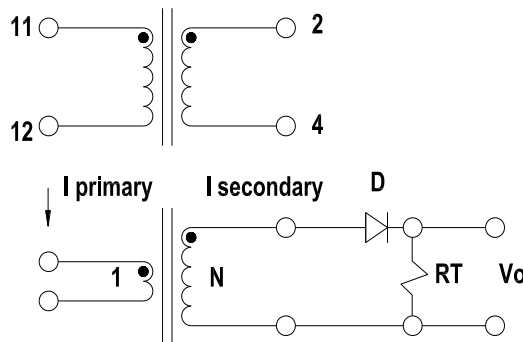


SMD Current Sense Transformer ~ EF12.6XFS-LF SERIES

FEATURES

- 1 **Height: 10.2mm Max** , Footprint: 19.9mm*14.5mm Max
- 2 **Current Rating: up to 35A**
- 3 **Frequency Range: 50kHz to 500kHz**
- 4 **500 V isolation winding to winding**
- 5 **Low primary DCR**
- 6 **RoHS-compliant.** 260°C compatible.

SCHEMATIC



APPLICATION CIRCUIT

ELECTRICAL CHARACTERISTICS :

| PART NUMBER | OCL(2-4) (mH)@ 0A | DCR(2-4) (ohm)TYP. | DCR(11-12) (mohm)TYP. | Hi-pot Vrms |
|------------------|---------------------|---------------------|------------------------|-------------|
| EF12.6XFS-152-LF | 1.5 Min. | 0.65 | 0.28 | 500 |
| EF12.6XFS-602-LF | 6.0 Min. | 2.00 | 0.28 | 500 |
| EF12.6XFS-103-LF | 10.0 Min. | 4.50 | 0.28 | 500 |
| EF12.6XFS-253-LF | 25.0 Min. | 15.0 | 0.28 | 500 |

- 1) Inductance measured across secondary at 10 kHz, 0.1 Vrms.
- 2) Ambient temperature range: -40°C to + 105°C
- 3) Storage temperature range: Component: -40°C to +85°C
- 4) Resistance to soldering heat: Three reflows at >217°C for 90 seconds (+260°C ±5°C for 20 – 40 seconds), allowing parts to cool to room temperature between.

Our specification limit the quality of the component to a single unit.
 Please ensure the component is thoroughly evaluated in your application circuit
 Revised May 2021