

Wire-Wound Ferrite Chip Inductors - MS1005LS

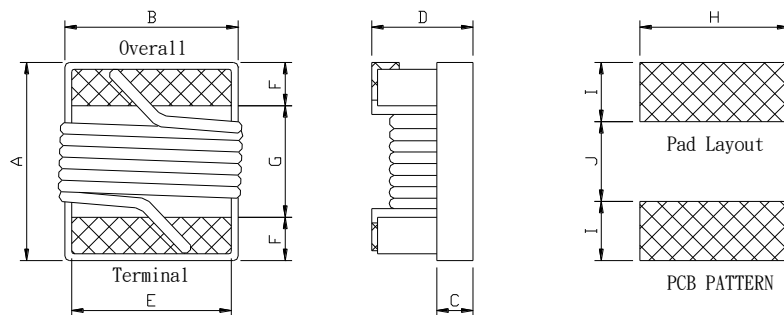


PART NUMBERING SYSTEM

MS	—	1005LS	—	33NJ	—	LF
TYPE		DIMENSIONS		INDUCTANCE		LEAD FREE

SHAPES AND DIMENSIONS

UNIT : mm

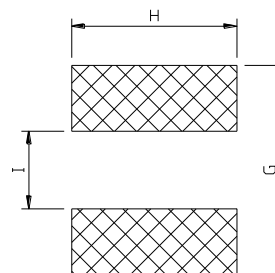


A=1.19 max. B=0.64 max. C=0.30 ref. D=0.66 max. E=0.51±0.1 F=0.23 ref. G=0.56 ref.

RECOMMENDED PATTERNS

UNIT : mm

G=1.18 H=0.66 I=0.46



Features:

- 1> Miniature SMD power ferrite wire wound inductors.
- 2> Economical alternative to large power inductors.
- 3> Higher inductance values than other 0402 inductors
- 4> Ferrite construction for high current handling

Applications:

Notebook computers, PC cards, wireless communication and handheld devices.



Wire-Wound Ferrite Chip Inductors - MS1005LS

SPECIFICATION TABLE

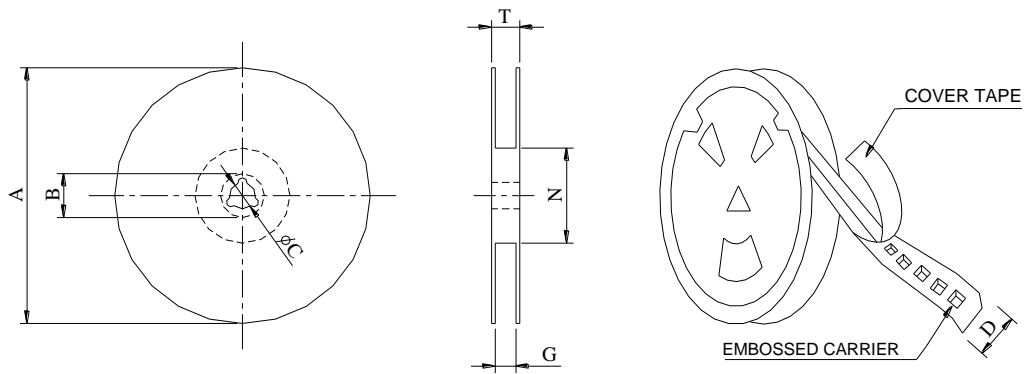
PART NUMBER	INDUCTANCE (nH)	TOLERANCE	TEST Freq (MHz)	SRF (GHz) MIN.	DCR (Ω) (max)	IDC (mA) (max)
MS1005LS-20N□-LF	20	K ,M	7.9	2.6	0.050	1600
MS1005LS-22N□-LF	22	K ,M	7.9	2.5	0.065	1300
MS1005LS-33N□-LF	33	K ,M	7.9	2.3	0.070	1300
MS1005LS-36N□-LF	36	K ,M	7.9	2.3	0.075	1300
MS1005LS-39N□-LF	39	K ,M	7.9	2.2	0.080	1200
MS1005LS-51N□-LF	51	K ,M	7.9	1.9	0.085	1100
MS1005LS-56N□-LF	56	K ,M	7.9	1.9	0.095	1000
MS1005LS-72N□-LF	72	K ,M	7.9	1.65	0.100	1000
MS1005LS-78N□-LF	78	K ,M	7.9	1.6	0.130	970
MS1005LS-R10□-LF	100	J ,K ,M	7.9	1.4	0.160	900
MS1005LS-R18□-LF	180	J ,K ,M	7.9	1.15	0.280	560
MS1005LS-R20□-LF	200	J ,K ,M	7.9	1.00	0.440	400
MS1005LS-R22□-LF	220	J ,K ,M	7.9	1.00	0.530	380
MS1005LS-R25□-LF	250	J ,K ,M	7.9	0.90	0.550	380
MS1005LS-R27□-LF	270	J ,K ,M	7.9	0.86	0.550	360
MS1005LS-R30□-LF	300	J ,K ,M	7.9	0.86	0.550	360
MS1005LS-R33□-LF	330	J ,K ,M	7.9	0.82	0.560	350
MS1005LS-R36□-LF	360	J ,K ,M	7.9	0.81	0.575	350
MS1005LS-R39□-LF	390	J ,K ,M	7.9	0.76	0.700	320
MS1005LS-R42□-LF	420	J ,K ,M	7.9	0.70	0.700	320
MS1005LS-R47□-LF	470	J ,K ,M	7.9	0.65	0.730	310
MS1005LS-R56□-LF	560	J ,K ,M	7.9	0.60	0.920	200
MS1005LS-1R0□-LF	1000	J ,K ,M	7.9	0.30	1.20	200
MS1005LS-2R2□-LF	2200	J ,K ,M	7.9	0.10	2.50	170
MS1005LS-4R7□-LF	4700	J ,K ,M	7.9	0.05	4.10	100
MS1005LS-100□-LF	10000	M	7.9	0.02	6.50	50

- Inductance tolerance :G= ±2% ; J=±5% ; K=±10% ; S=±0.3nH; B=±0.2nH
- IDC(mA) : temperature raise becomes ΔT = 40° C.
- Operating temperature range -40° C to +125° C. (Electrical specifications at 25° C.)

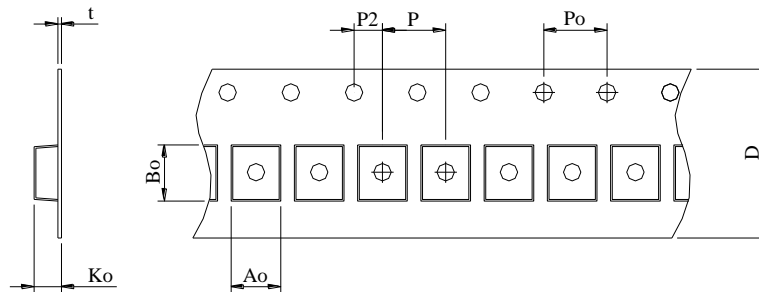
Wire-Wound Ferrite Chip Inductors - MS1005LS



PACKAGE SPECIFICATION



*CARRIER TAPE WIDTH : D



	DIMENSIONS (m/m)														
	Q'TY (PCS)	A	B	C	D	G	N	T	Ao	Bo	Ko	t	P	Po	P2
7"	4,000	178	—	13	8	8.4	60	14.4	—	—	0.68	0.22	2	4	2