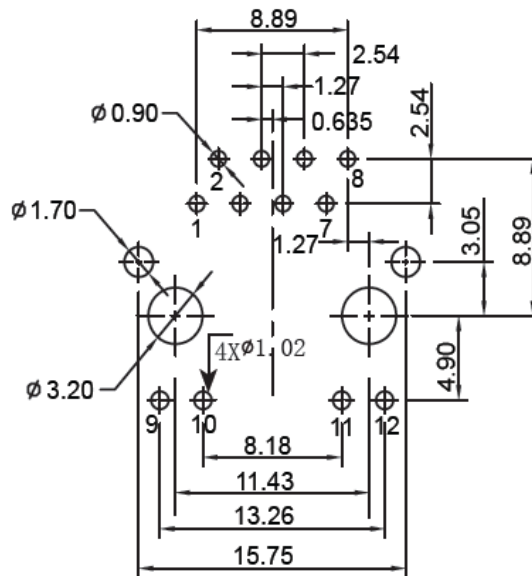
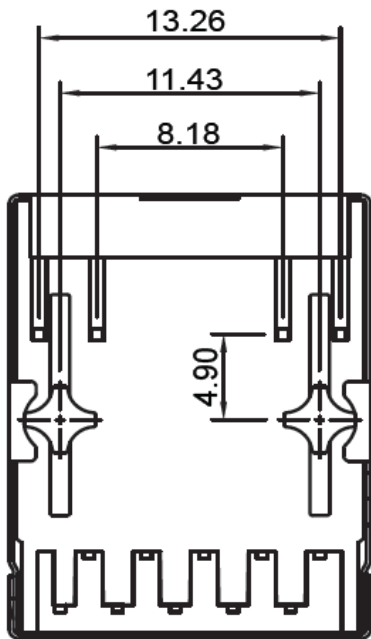
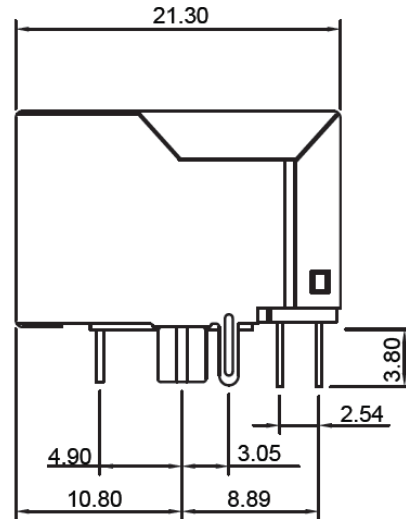
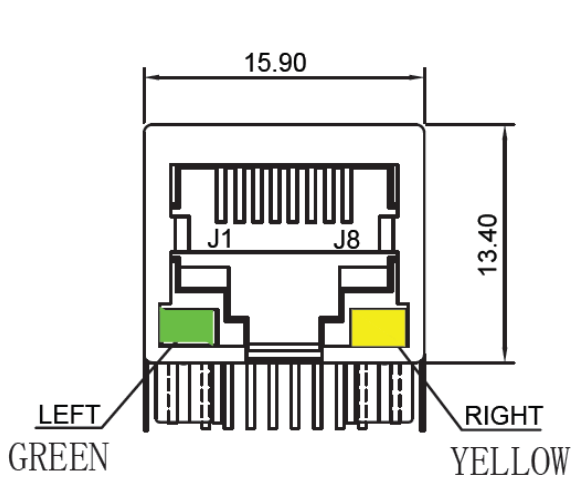


PRODUCT	RJ310011FB-LF	<b>COIL SPECIFICATION</b>	DATE	2015/6/4
SPEC.NO.	C-7700-087(01)		CODE NO.	C07700087

**EXTERNAL DIMENSIONS :**



Tolerance : .XXX  $\pm$ 0.13  
.XX  $\pm$ 0.25

Marking : 310011FB  
CME YYWW(date code)

Notes : Contact plating : 0.35mm thick phos bronze plated with 6u' gold in contact area

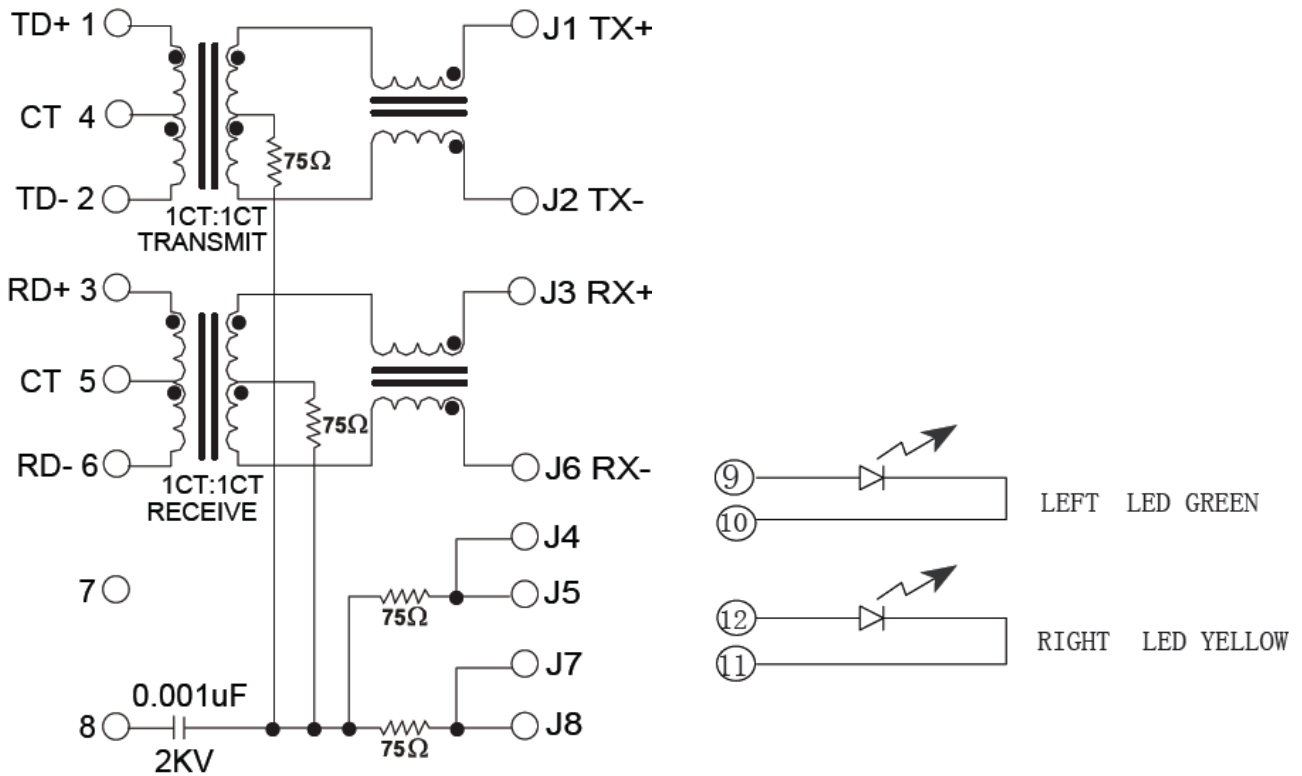
**COILMASTER ELECTRONICS CO., LTD.**

PRODUCT	RJ310011FB-LF	<b>COIL SPECIFICATION</b>	DATE	2015/6/4
SPEC.NO.	C-7700-087(01)		CODE NO.	C07700087

**ELECTRICAL CHARACTERISTIC @25°C :**

1. Turn Ratio ( $\pm 3\%$ ) : 1CT:1CT
2. Inductance OCL : 350uH MIN @ 100KHZ 100mV 8mA DC
3. Insertion Loss : 1-100MHZ@ -1.0dB MAX
4. Return Loss : 1-30MHZ@ -16.0dB MIN  
30-60MHZ@ -14.0dB MIN  
60-80MHZ@ -10.0dB MIN
5. Cross Talk : 1-30MHZ@ -40.0dB MIN  
30-60MHZ @-35.0dB MIN  
60-80MHZ@ -30.0dB MIN
6. Common Mode Rejection : 1-100MHZ@ -35.0dB MIN
7. Hipot Test : 1500v AC 6S 1mA
8. Operating Temperature : 0°C ~70°C

**SCHEMATIC DRAWING :**



**COILMASTER ELECTRONICS CO., LTD.**