

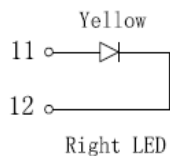
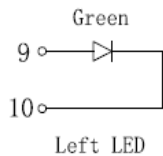
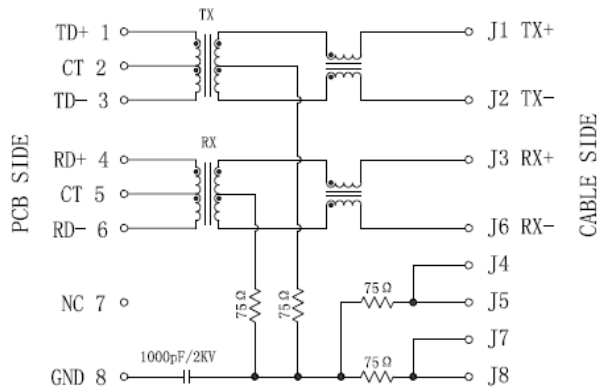
PRODUCT	RJ310012HE-LF	COIL SPECIFICATION	DATE	2009/7/27
SPEC.NO.	C-7700-029(01)		CODE NO.	C07700029

ELECTRICAL CHARACTERISTIC @ 25°C :

ELECTRICAL SPECIFICATIONS @25°C

- | | |
|---|--|
| <p>1. Turn Ratio($\pm 3\%$):
TX=1CT:1CT RX=1CT:1CT</p> <p>2. Inductance OCL:
350uH MIN @ 100KHz 0.1V 8mA DC Bias</p> <p>3. DCR:
1.2 Ω MAX</p> <p>4. Insertion Loss:
-1.1dB MAX @ 1-100MHz</p> <p>5. Return Loss:
-16dB MIN @ 1-30MHz
-12dB MIN @ 30-60MHz
-10dB MIN @ 60-100MHz</p> | <p>6. Cross talk:
-40dB MIN @ 1-30MHz
-35dB MIN @ 30-60MHz
-30dB MIN @ 60-100MHz</p> <p>7. Common Mode Rejection:
-30dB MIN @ 1-50MHz
-20dB MIN @ 50-150MHz</p> <p>8. Hipot Test: 1500Vrms</p> <p>9. Operating Temperature Range: 0°C TO +70°C</p> |
|---|--|

SCHEMATIC DRAWING :



COILMASTER ELECTRONICS CO., LTD.