

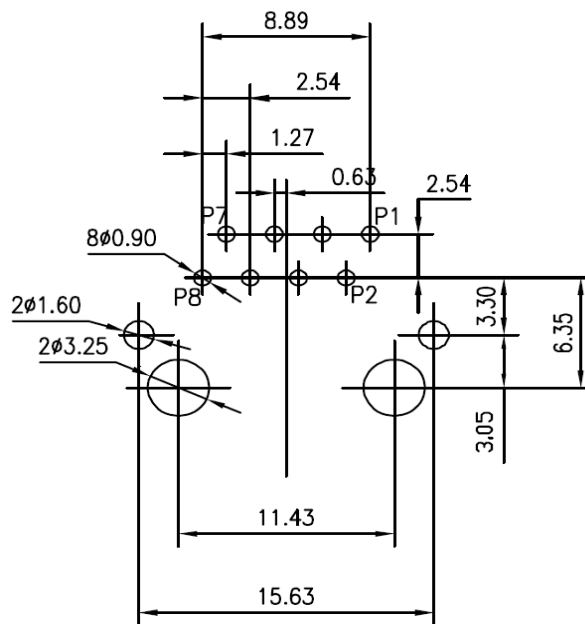
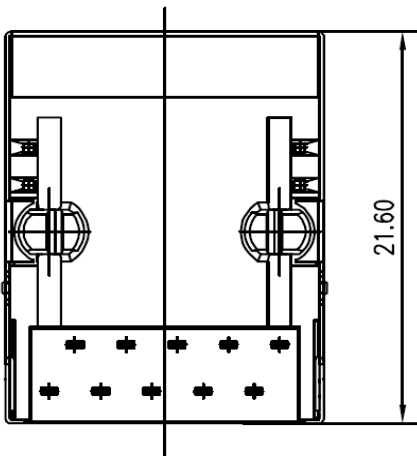
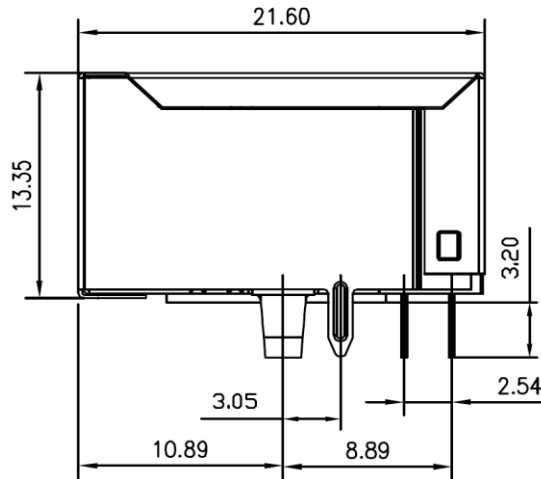
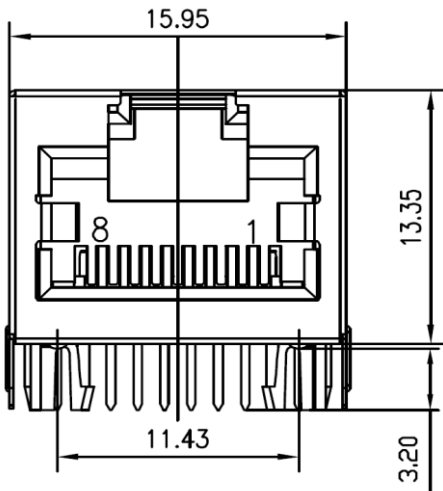
PRODUCT	RJ311104A5079-LF	<b>COIL SPECIFICATION</b>	DATE	2020/7/17
SPEC.NO.	C-7711-044(00)		CODE NO.	C07711044

**EXTERNAL DIMENSIONS :**

1\*1 Port RJ45 Jack

With 10/100 Base-T Magnetics Module

Meets IEEE802.3af standards



PCB Recommend layout seen from component side

Marking : 311104A50'

CME YYWW(date code)

Housing: Thermoplastic UL94 V-0

Contact plating : Gold 6 micro-inches min. in contact area.

Durability: 800 mating Min

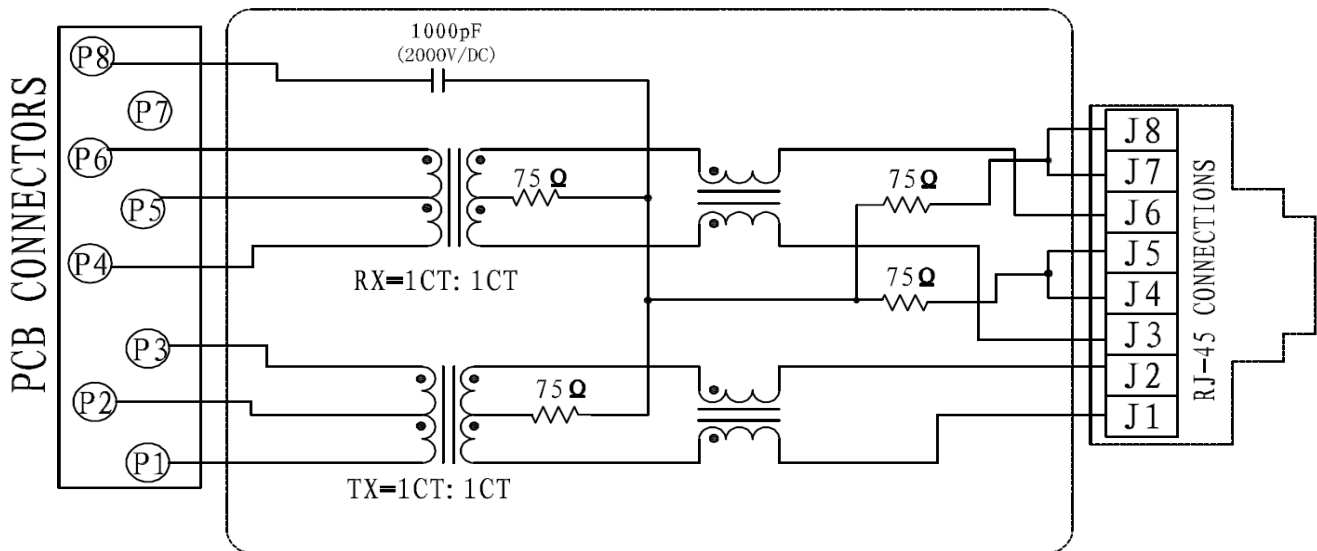
**COILMASTER ELECTRONICS CO., LTD.**

PRODUCT	RJ311104A5079-LF	<b>COIL SPECIFICATION</b>	DATE	2020/7/17
SPEC.NO.	C-7711-044(00)		CODE NO.	C07711044

**ELECTRICAL CHARACTERISTIC : @25°C**

Insertion Loss : 1-100MHz -1.2dB MAX  
 Return Loss : 1-30MHz -18dB MIN  
                   30-60MHz -14dB MIN  
                   60-80MHz -12dB MIN  
 Cross Talk : 1-100MHz -30.0dB MIN  
 Hipot : 1500V AC (Input to Output)  
 CMR : 1-100MHz -30.0dB MIN  
 OCL :350uH @100KHz 100mV 8mA  
 Operating Temperature: -40°C ~ 85°C  
 Storage Temperature: -40°C ~ 85°C

**SCHEMATIC DRAWING :**



**COILMASTER ELECTRONICS CO., LTD.**