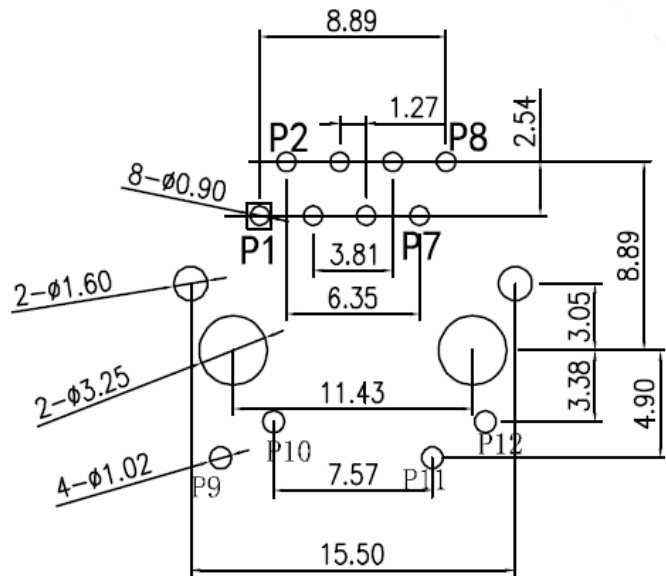
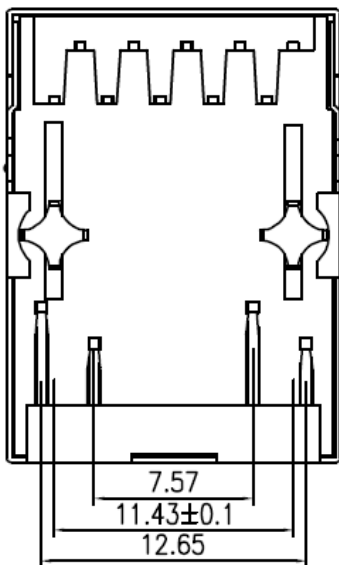
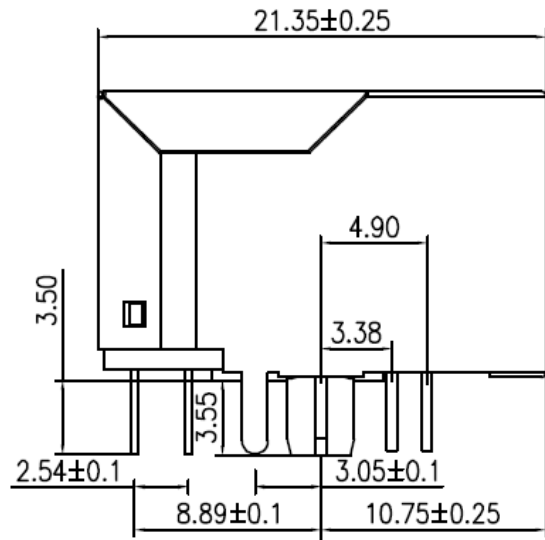
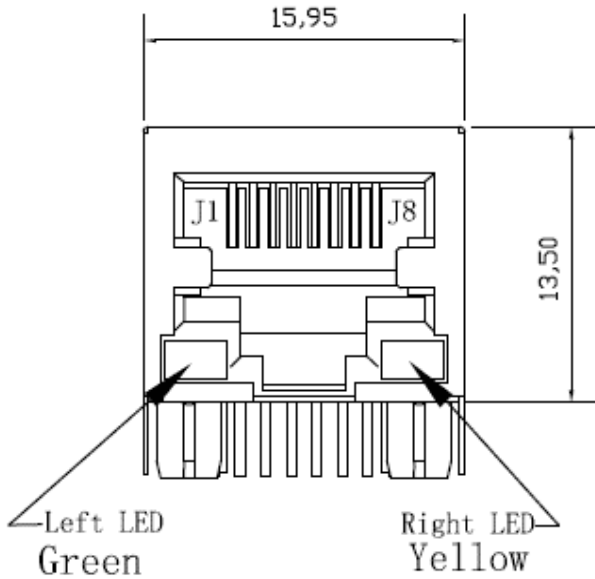


PRODUCT	RJ311104E10094-LF	COIL SPECIFICATION	DATE	2021/9/9
SPEC.NO.	C-7711-056(00)		CODE NO.	C07711056

1*1 Port RJ45 Jack With 10/100 Base-T Magnetics Module

EXTERNAL DIMENSIONS :



Housing : Thermoplastic UL94 V-0

Contact : Cooper alloy

Contact plating : Gold 6 micro-inches min. in contact area.

Meets IEEE802.3af

Marking : 311104E10094

CME YYWW(date code)

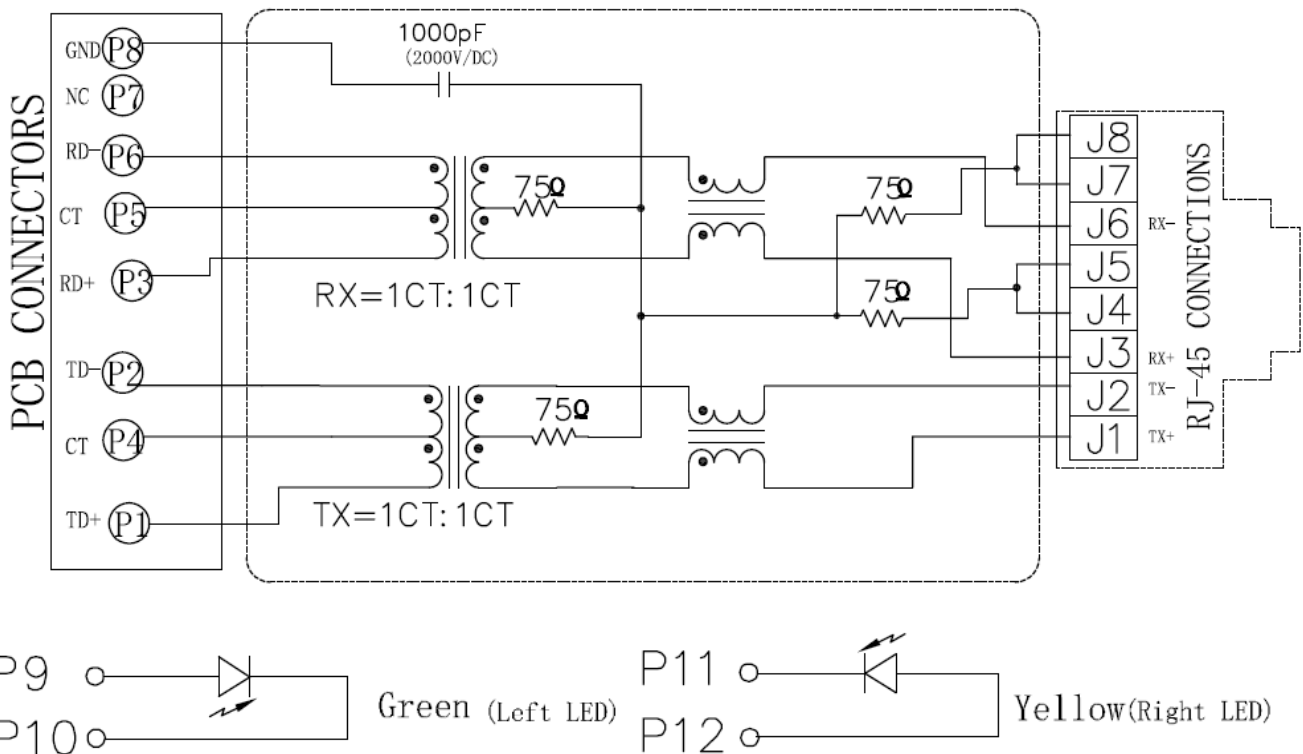
COILMASTER ELECTRONICS CO., LTD.

PRODUCT	RJ311104E10094-LF	COIL SPECIFICATION	DATE	2021/9/9
SPEC.NO.	C-7711-056(00)		CODE NO.	C07711056

ELECTRICAL CHARACTERISTIC : @25°C

Insertion Loss : 100KHz-100MHz -1.2dB MAX
 Return Loss : 1-30MHz -18dB MIN
 30-60MHz -14dB MIN
 60-80MHz -12dB MIN
 80-100MHz -10dB MIN
 Cross Talk : 1-100MHz -30.0dB MIN
 Hipot : 1500V AC (Input to Output)
 CMR : 1-100MHz -30.0dB MIN
 OCL :350uH MIN@100KHz 100mV 8mA
 Operating Temperature: -40°C ~ 85°C
 Storage Temperature: -40°C ~ 85°C

SCHEMATIC DRAWING :



COILMASTER ELECTRONICS CO., LTD.