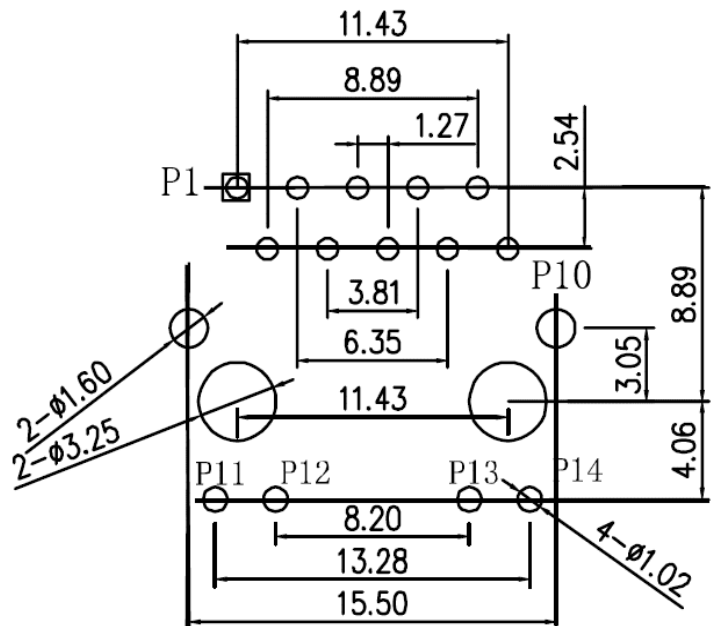
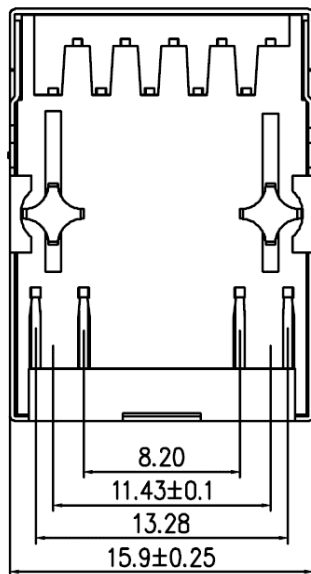
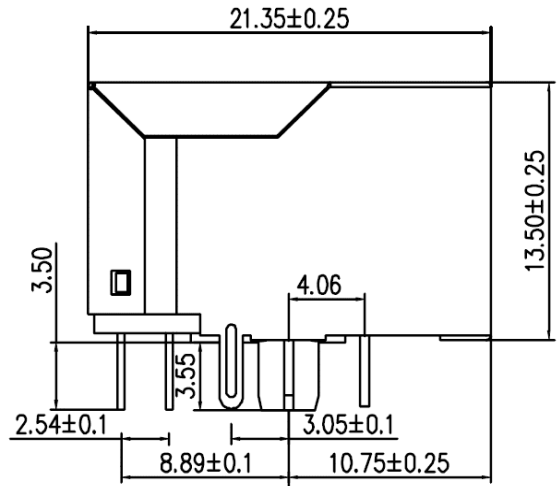
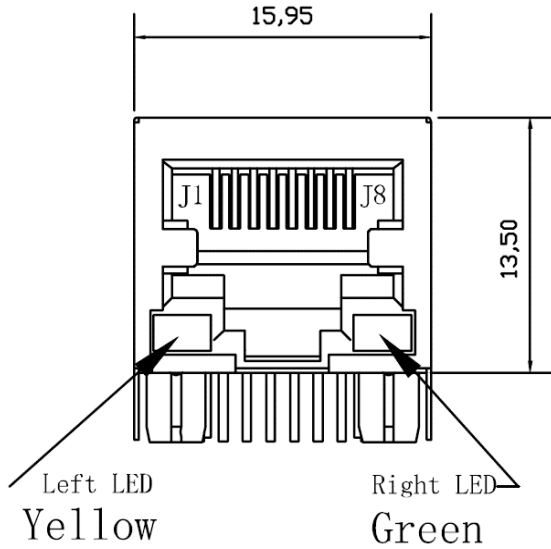


PRODUCT	RJ311106F1074-LF	COIL SPECIFICATION	DATE	2021/9/9
SPEC.NO.	C-7711-041(00)		CODE NO.	C07711041

EXTERNAL DIMENSIONS :



P. C. B RECOMMENDED HOLE LAYOUT SEEN FROM COMPONENT SIDE.
ALL CENTERLINE DIMENSIONS ARE BASIC

PCB Recommended Hole Layout Seen From Component Side
All Centerline Dimensions Are Basic

Tolerance: .XX +/- 0.25

Contact plating : Gold 6 micro-inches min. in contact area.

Marking : 311106F1074

CME YYWW(date code)

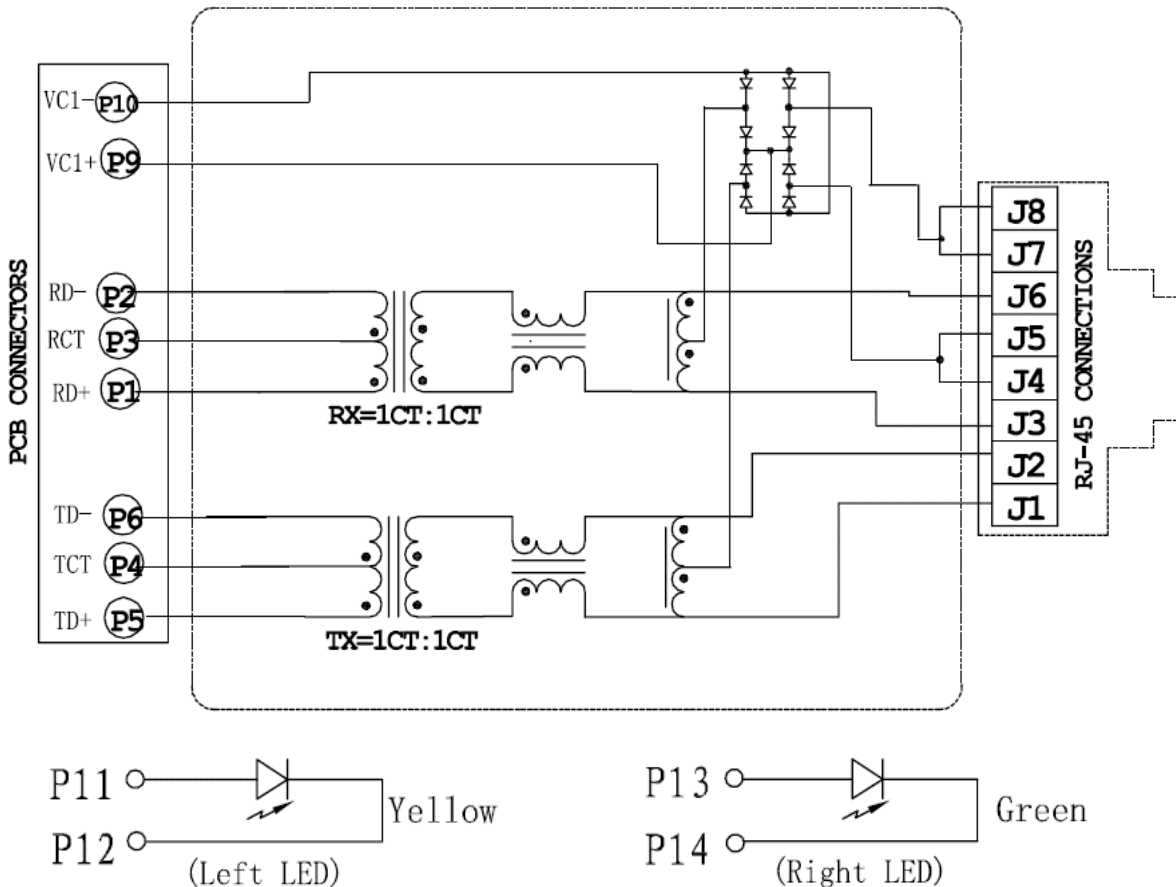
COILMASTER ELECTRONICS CO., LTD.

PRODUCT	RJ311106F1074-LF	COIL SPECIFICATION	DATE	2021/9/9
SPEC.NO.	C-7711-041(00)		CODE NO.	C07711041

ELECTRICAL CHARACTERISTIC : @25°C

Insertion Loss : 1-100MHz -1.2dB MAX
 Return Loss : 1-30MHz -18dB MIN
 30-60MHz -14dB MIN
 60-80MHz -12dB MIN
 80-100MHz -10dB MIN
 Cross Talk : 1-100MHz -30.0dB MIN
 Isolation (V) : 1500V AC (Input to Output)
 CMR : 1-100MHz -30.0dB MIN
 OCL : 350uH Min @100KHz 100mV 8mA
 Operating Temperature: -40°C ~ 85°C
 Storage Temperature: -40°C ~ 85°C
 POE+ Rating: 30W, 600mA 48V (For POE+ Products Only)

SCHEMATIC DRAWING :



COILMASTER ELECTRONICS CO., LTD.