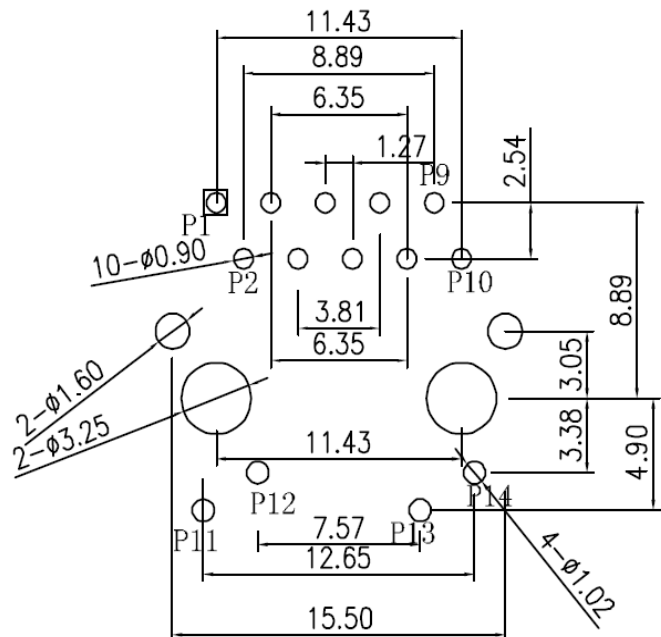
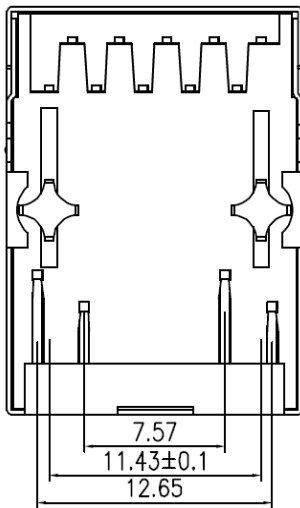
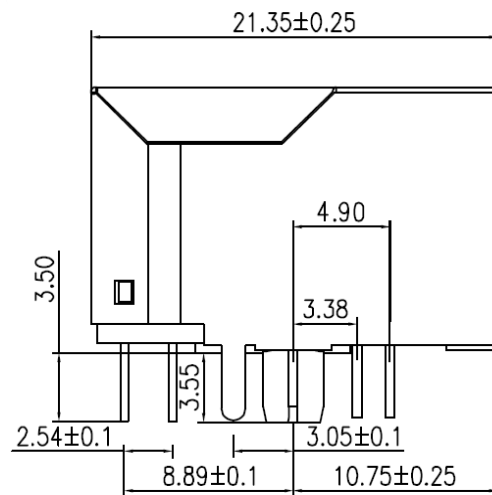
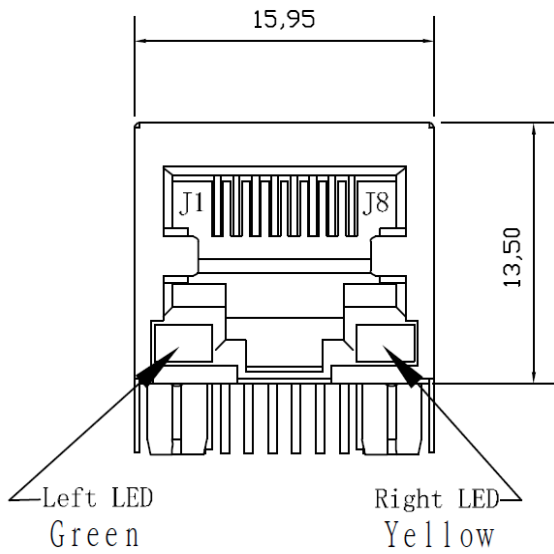


PRODUCT	RJ311108C10193-LF	COIL SPECIFICATION	DATE	2020/8/29
SPEC.NO.	C-7711-053(00)		CODE NO.	C07711053

EXTERNAL DIMENSIONS :

1 * 1 Port RJ45 Jack

With 2.5G Base T Magnetics Module



Meets IEEE 802.3af standard for 2.5G Base

Housing: Thermoplastic UL94 V-0

Contact/Shield: Cooper alloy

Contact Plating: 6u" gold Min

Recommend Layout From Component Side

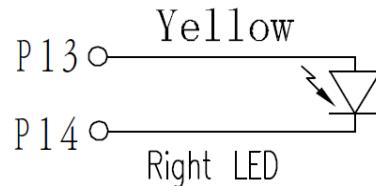
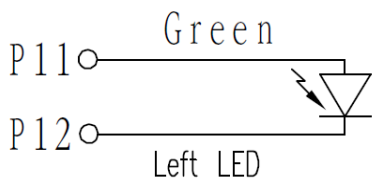
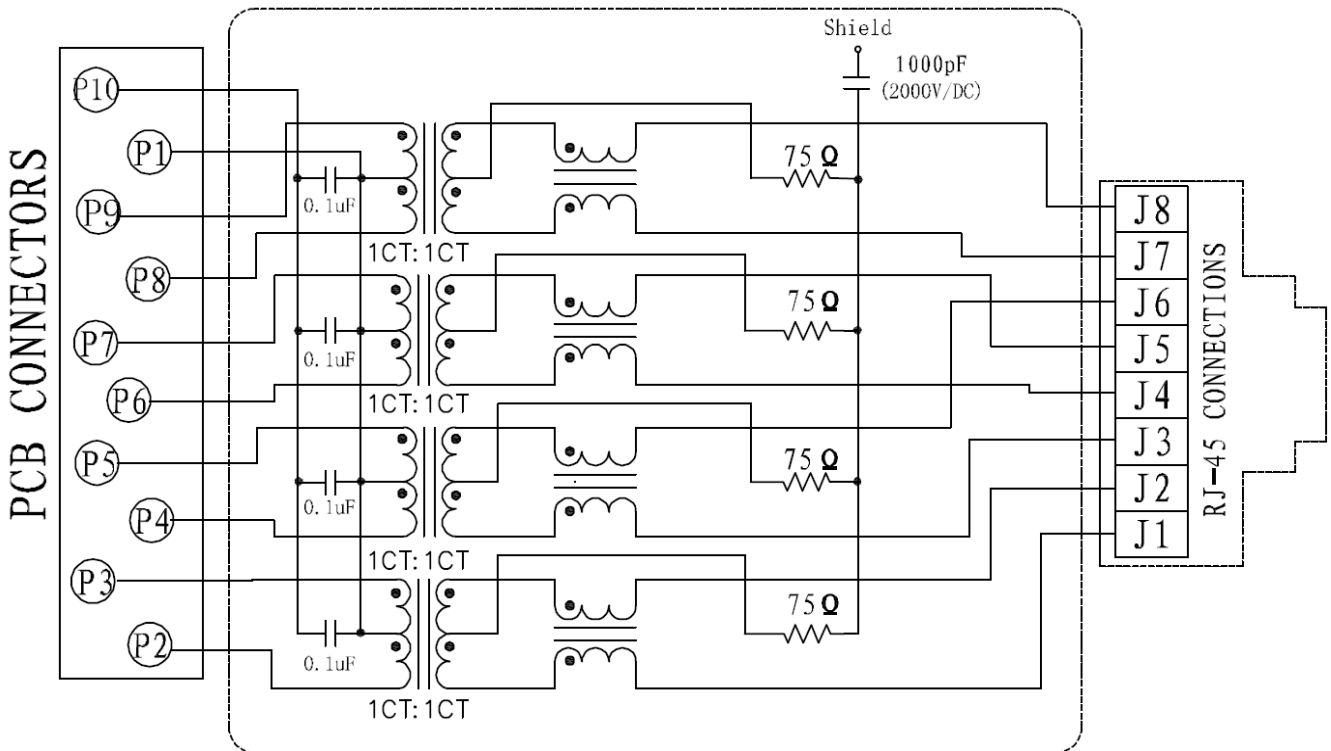
Marking: 311108C10193

CME YYWW(date code)

PRODUCT	RJ311108C10193-LF	COIL SPECIFICATION	DATE	2020/8/29
SPEC.NO.	C-7711-053(00)		CODE NO.	C07711053

PCB JACK SEPCIFICATION :

1. OCL:350uH Min. @100KHz/100m VRMS 8mA DC BIAS
2. INSERTION LOSS : -0.8dB Max. @ 1MHz to 40MHz
 -1.2dB Max. @ 40MHz to 125MHz
 -3.0dB Max. @ 125MHz to 650MHz
3. RETURN LOSS : -18dB Min. @ 1MHz to 40MHz
 -14dB Min. @ 40MHz to 100MHz
 -8dB Min. @ 100MHz to 400MHz
 -5dB Min. @ 125MHz to 500MHz
4. CMR : -40dB Min. @ 1MHz to 250MHz
5. Isolation Voltage: 1500Vrms / 60Hz / 1Minutes
6. Operating Temperature : -40~85°C



COILMASTER ELECTRONICS CO., LTD.