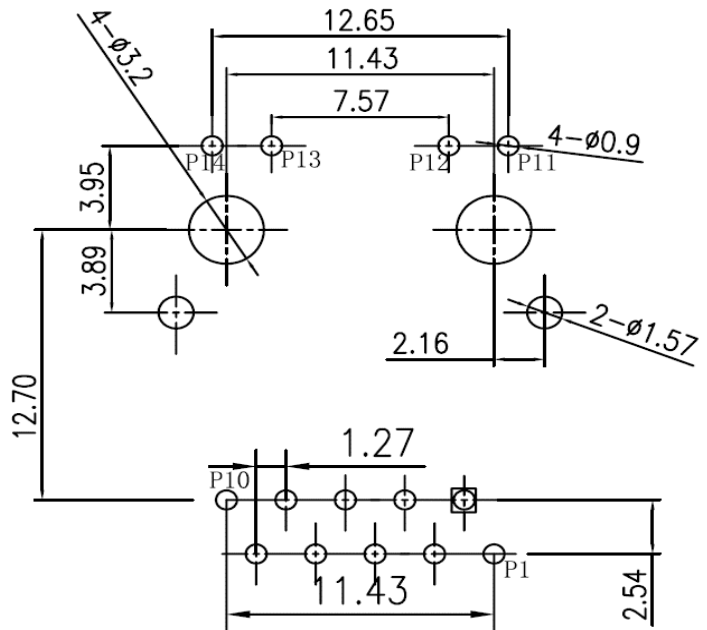
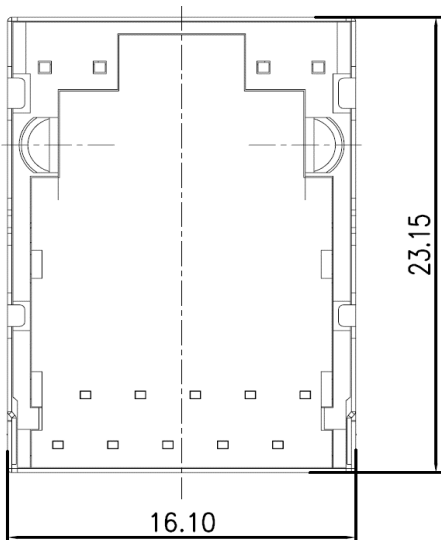
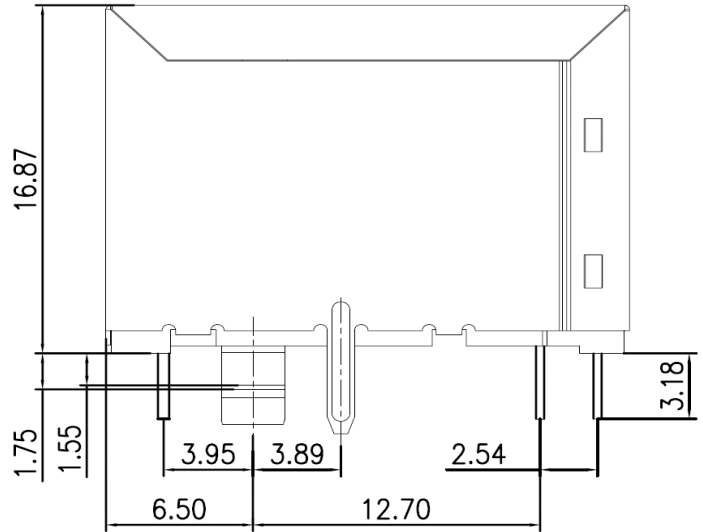
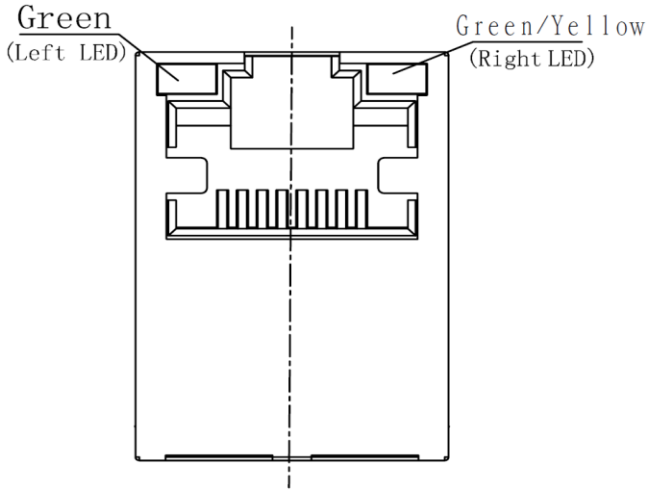


PRODUCT	RJ311108F2047L3-LF	COIL SPECIFICATION	DATE	2020/8/29
SPEC.NO.	C-7711-048(00)		CODE NO.	C07711048

EXTERNAL DIMENSIONS :

1 * 1 Port RJ45 Jack

With 100/1000 Base T Magnetics Module



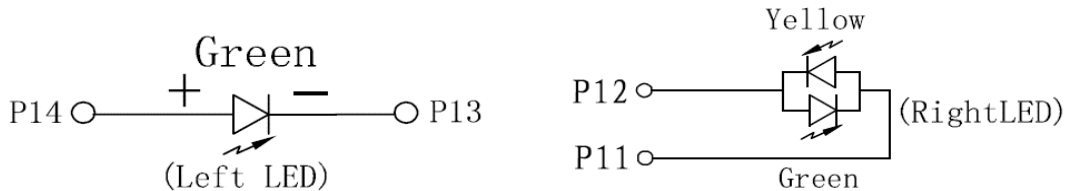
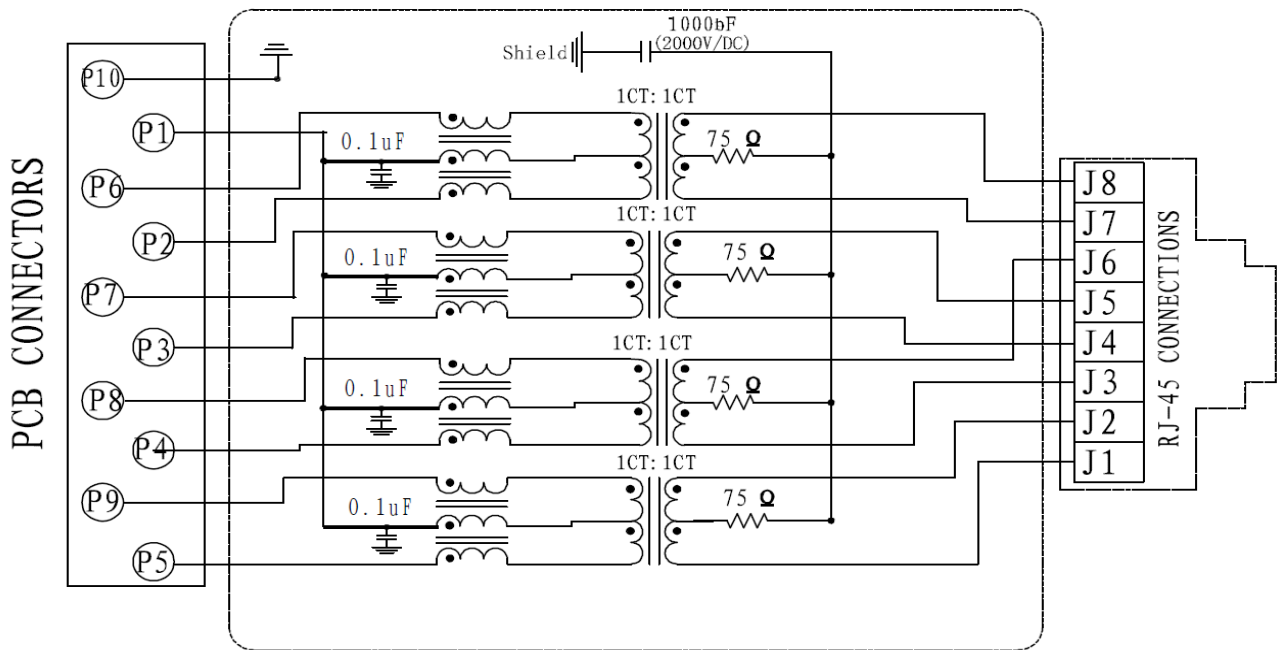
Recommend Layout From Component Side

Marking: 311108F2047L3
CME YYWW(date code)

PRODUCT	RJ311108F2047L3-LF	COIL SPECIFICATION	DATE	2020/8/29
SPEC.NO.	C-7711-048(00)		CODE NO.	C07711048

PCB JACK SEPCIFICATION :

1. OCL:350uH Min. @100KHz/100m VRMS 8mA DC BIAS
2. INSERTION LOSS : -1.2dB Max. @ 100KHz to 100MHz
3. RETURN LOSS : -18dB Min. @ 1MHz to 30MHz
-14dB Min. @ 30MHz to 60MHz
-12dB Min. @ 60MHz to 80MHz
-10dB Min. @ 80MHz to 100MHz
4. CROSS TALK : -30dB Min. @ 1MHz to 100MHz
5. CMR : -30dB Min. @ 1MHz to 100MHz
6. Isolation Voltage: 1500V/AC(Input to Output)
7. Operating Temperature : -40~85°C



COILMASTER ELECTRONICS CO., LTD.