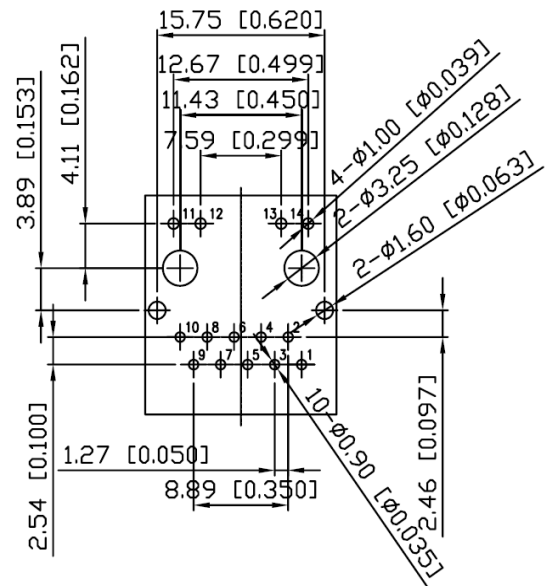
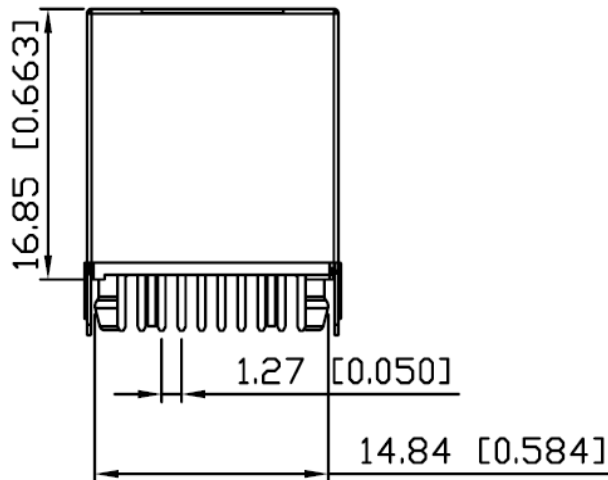
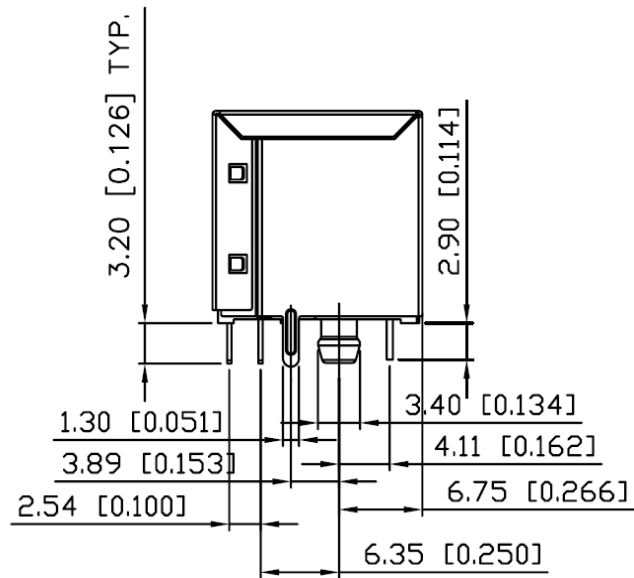
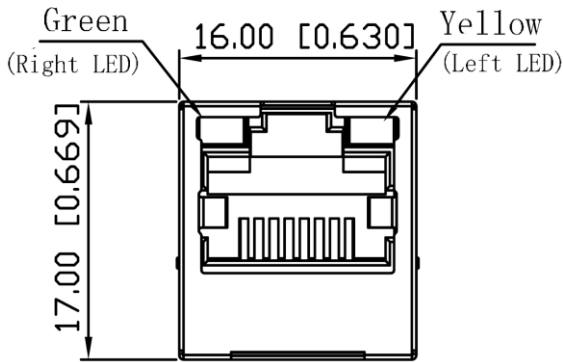


PRODUCT	RJ311108F20892-LF	<b>COIL SPECIFICATION</b>	DATE	2020/8/29
SPEC.NO.	C-7711-054(00)		CODE NO.	C07711054

**EXTERNAL DIMENSIONS :**

1 \* 1 Port RJ45 Jack

With 100/1000 Base T Magnetics Module



Housing: PA46 UL94 V-0

Contact: Cooper Alloy

Shield: Nickel

Contact plating: 6u"

Meets or Exceeds IEEE802.3af

Recommend Layout From Component Side

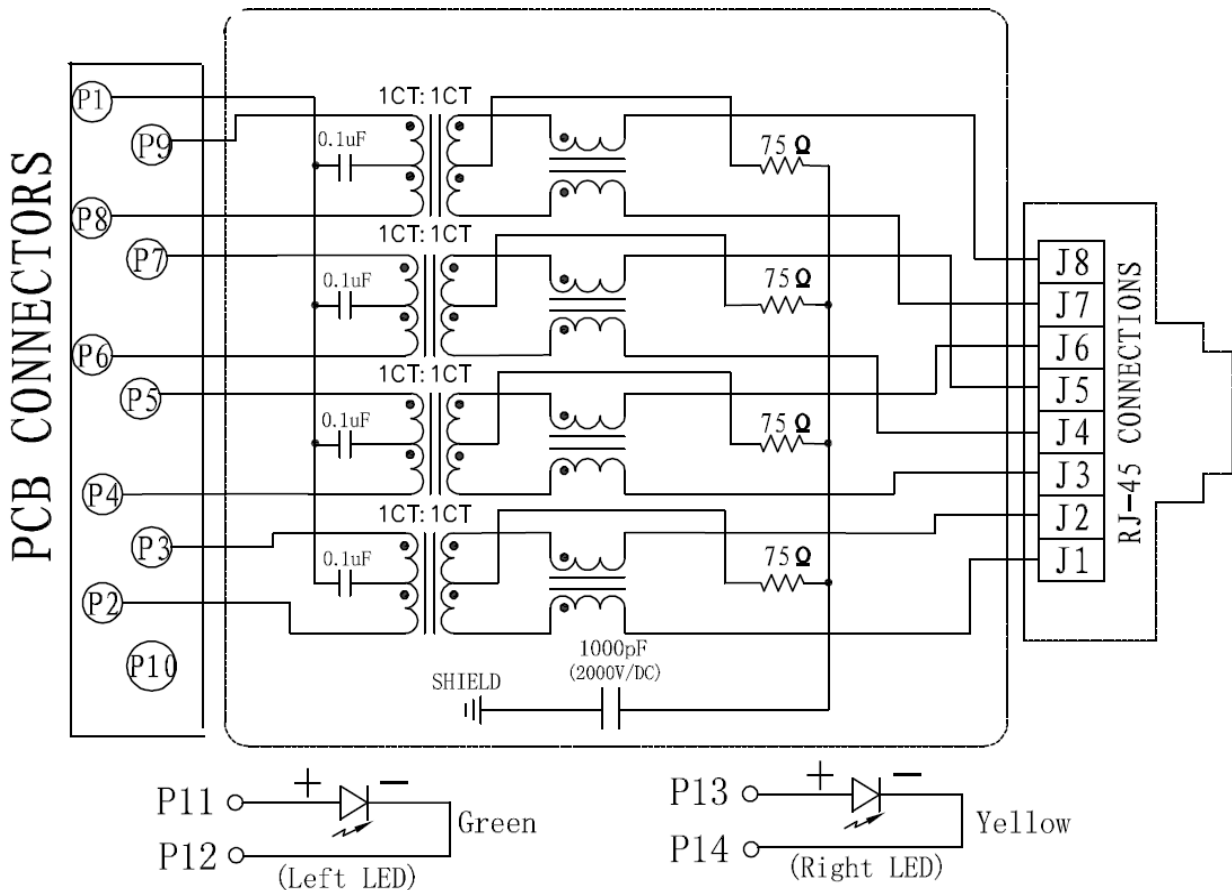
Marking: 311108F20892

CME YYWW(date code)

PRODUCT	RJ311108F20892-LF	<b>COIL SPECIFICATION</b>	DATE	2020/8/29
SPEC.NO.	C-7711-054(00)		CODE NO.	C07711054

**PCB JACK SEPCIFICATION :**

1. OCL:350uH Min. @100KHz/100m VRMS 8mA DC BIAS
2. INSERTION LOSS : -1.2dB Max. @ 100KHz to 100MHz
3. RETURN LOSS : -18dB Min. @ 1MHz to 30MHz  
-14dB Min. @ 30MHz to 60MHz  
-12dB Min. @ 60MHz to 80MHz  
-10dB Min. @ 80MHz to 100MHz
4. CROSS TALK : -30dB Min. @ 1MHz to 100MHz
5. CMR : -30dB Min. @ 1MHz to 100MHz
6. Isolation Voltage: 1500V/AC(Input to Output)
7. Operating Temperature : -40~85°C



**COILMASTER ELECTRONICS CO., LTD.**