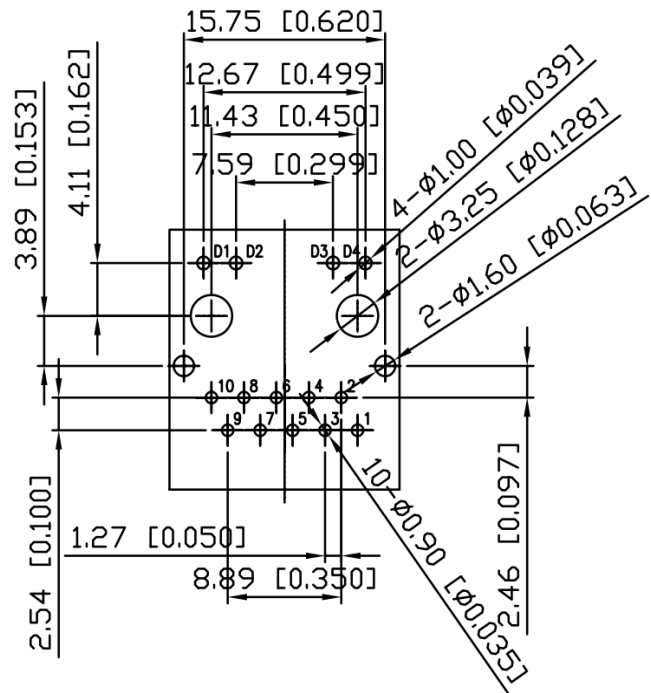
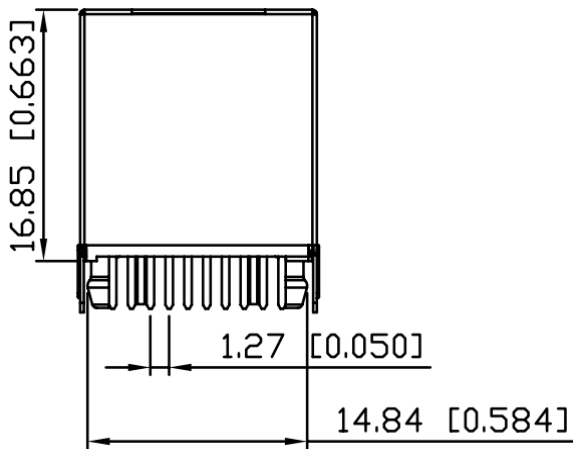
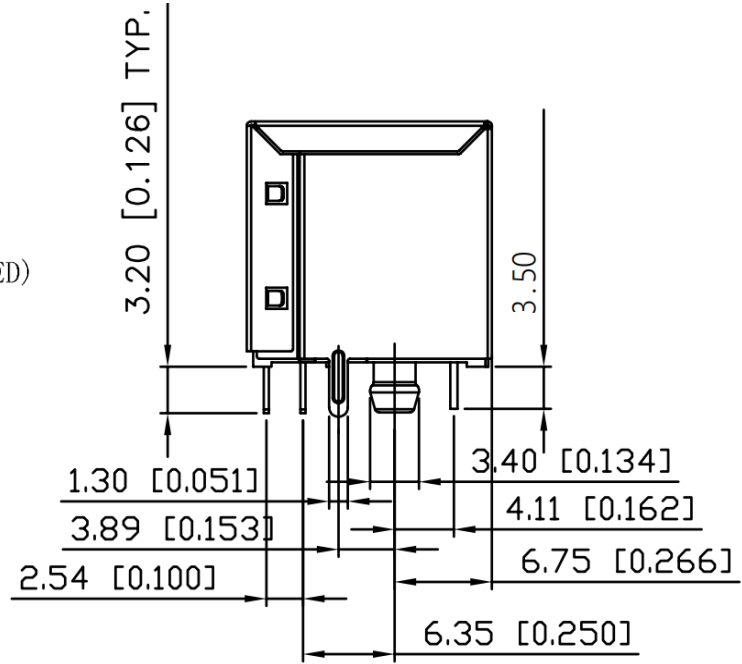
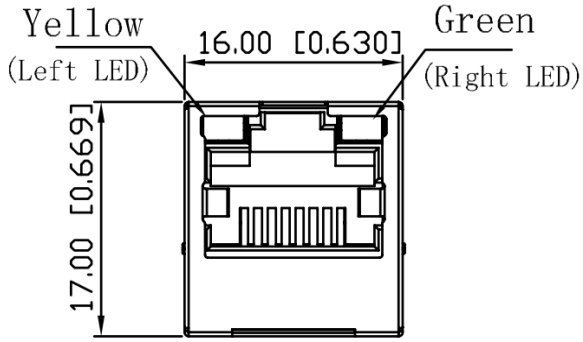


PRODUCT	RJ311108F20896-LF	<b>COIL SPECIFICATION</b>	DATE	2022/8/8
SPEC.NO.	C-7711-055(00)		CODE NO.	C07711055

**EXTERNAL DIMENSIONS :**



Tolerances unless otherwise specified:

.XX±0.25

Contact plating : Gold 6 micro-inches min. in contact area.

Gold Plating over Nickel

Marking: 311108F20896

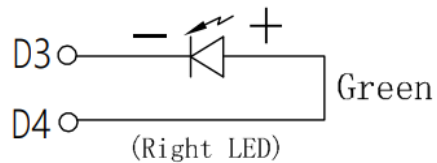
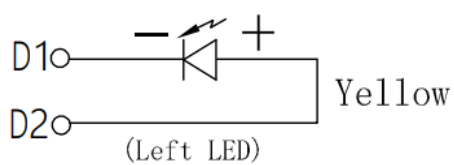
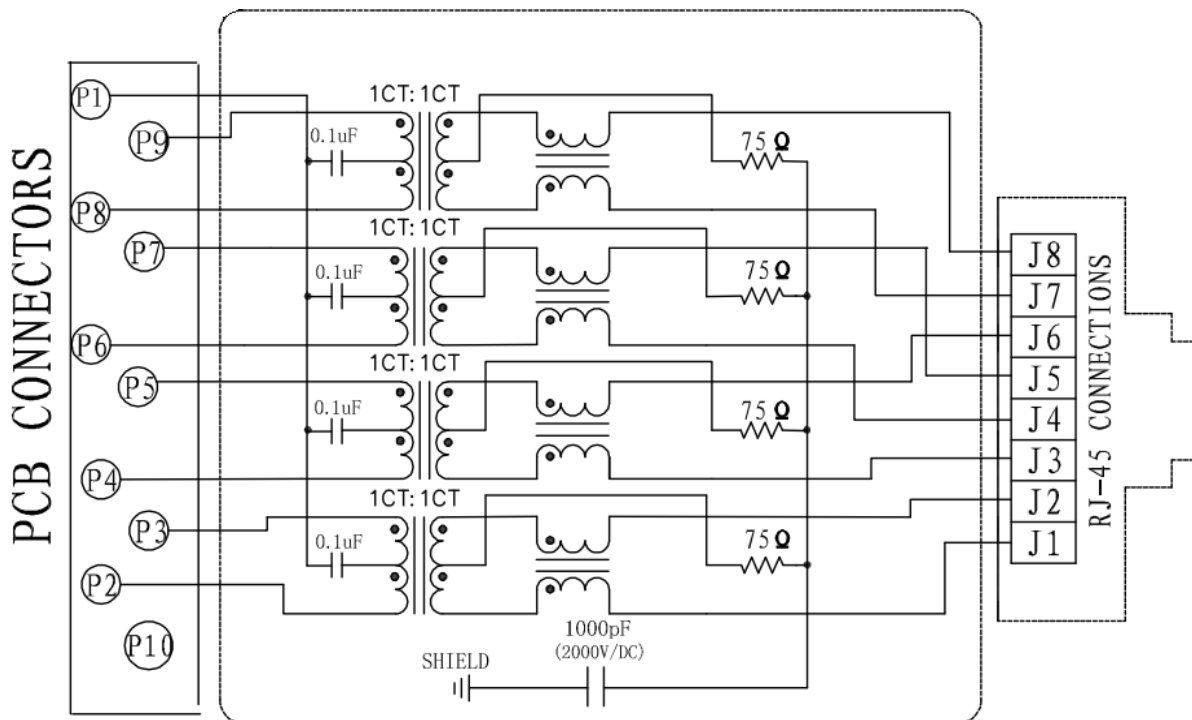
CME YYWW(date code)

**COILMASTER ELECTRONICS CO., LTD.**

PRODUCT	RJ311108F20896-LF	<b>COIL SPECIFICATION</b>	DATE	2022/8/8
SPEC.NO.	C-7711-055(00)		CODE NO.	C07711055

**ELECTRICAL CHARACTERISTIC : @25°C**

1. OCL: 350uH Min. @ 100KHz 100mV 8mA DC
2. INSERTION LOSS -1.2dB Max. @ 100KHz to 100MHz
3. RETURN LOSS : -18dB Min. @ 1MHz to 30MHz  
-14dB Min. @ 30MHz to 60MHz  
-12dB Min. @ 60MHz to 80MHz  
-10dB Min. @ 80MHz to 100MHz
4. CROSS TALK : -30dB Min. @ 1MHz to 100MHz
5. CMR : -30dB Min. @ 1MHz to 100MHz
6. Isolation Voltage: 1500VAC (Input to Output)
7. Operating Temperature : -40~85°C



**COILMASTER ELECTRONICS CO., LTD.**