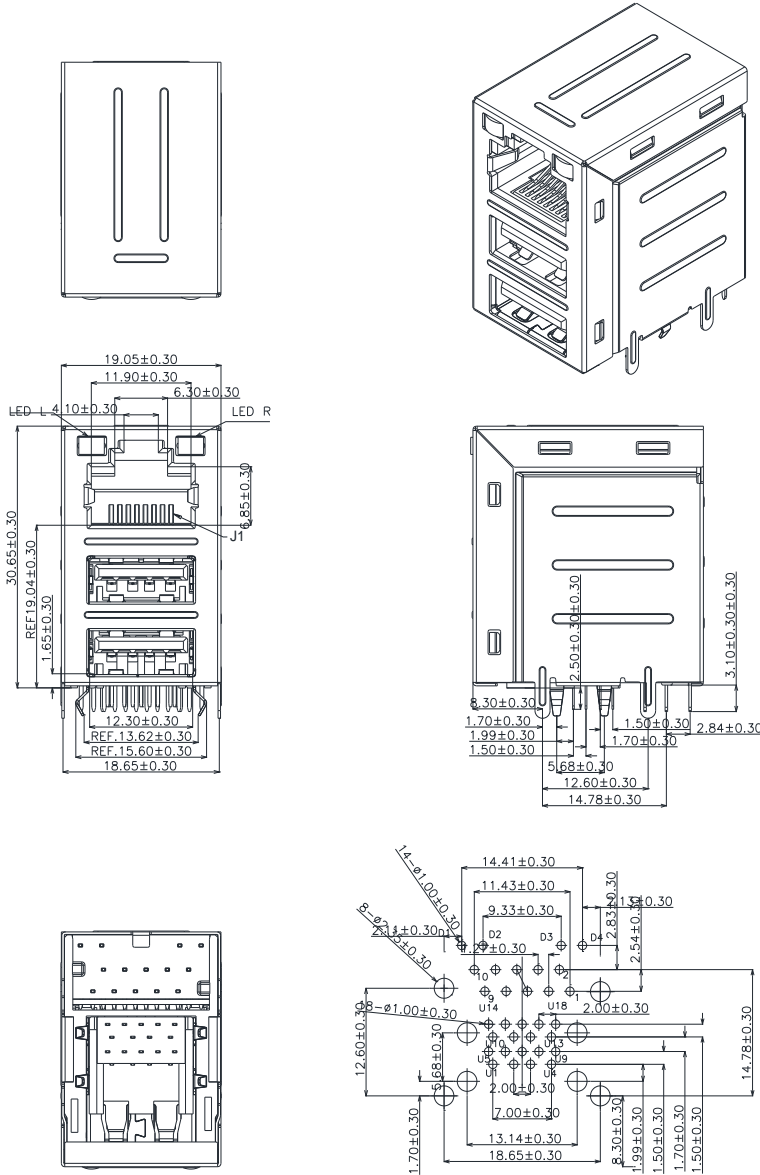


|          |                     |                               |          |           |
|----------|---------------------|-------------------------------|----------|-----------|
| PRODUCT  | RJ311108SF702716-LF | <b>COIL<br/>SPECIFICATION</b> | DATE     | 2021/6/29 |
| SPEC.NO. | C-7711-068(01)      |                               | CODE NO. | C07711068 |

**RJ-45 + USB3.0 \*2 With 100/1000 Base-T Magnetics Module**

**EXTERNAL DIMENSIONS :**



Suggested customer PCB layout (Top View)

All demension tolerance are:±0.05mm  
unless otherwise specified

1. Connector Material

Housing : Thermoplastic UL 94 V-0

Contact/Shield : Cooper alloy

Shield Plating: Nickel

Contact Plating: Gold 6u"

2. Tolerance comply with F.C.C dimension requirements

3. Durability : 800 mating Min

4. Meets or Exceeds IEEE802.3af standards

Marking: 311108SF702716

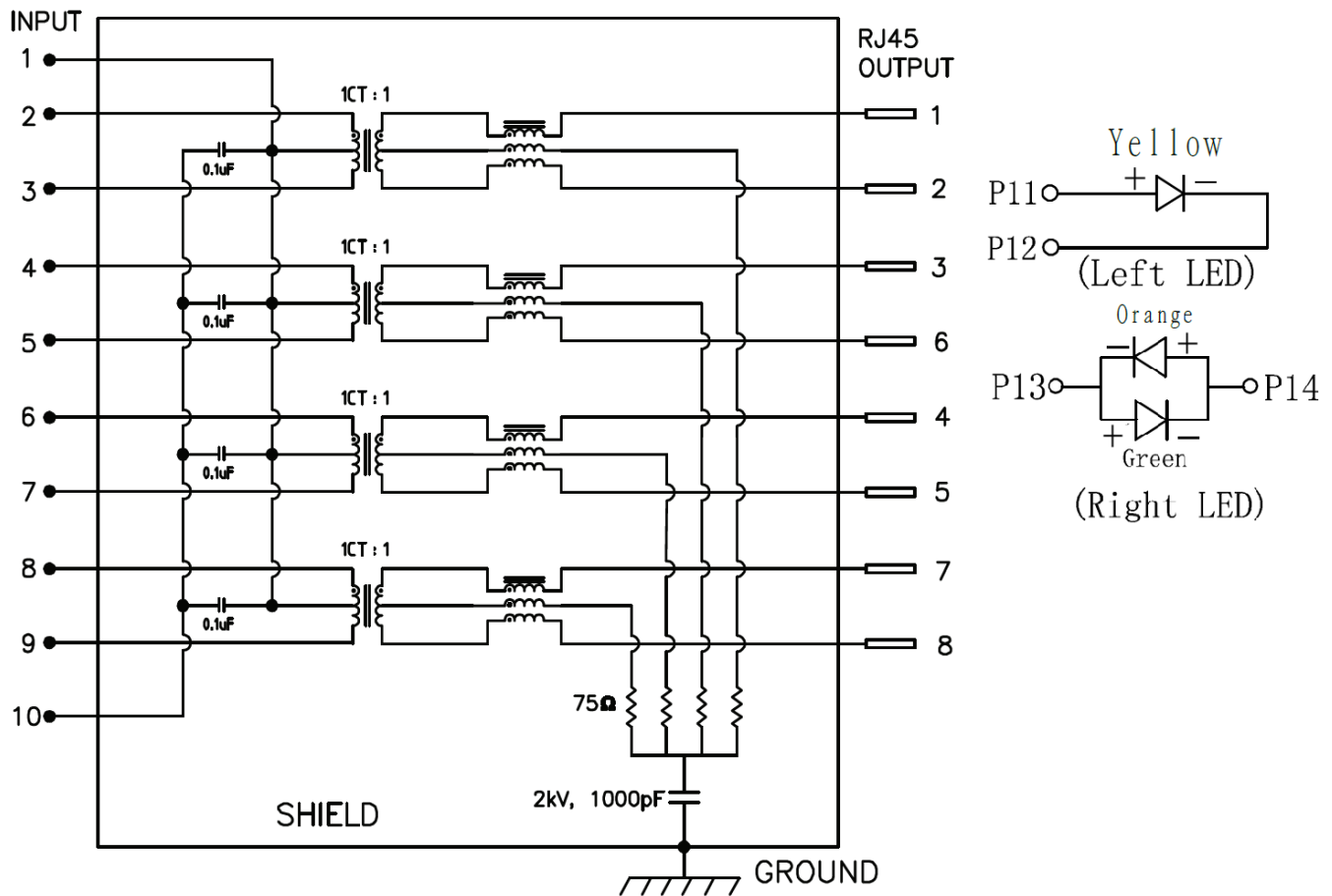
CME YYWW

**COILMASTER ELECTRONICS CO., LTD.**

|          |                     |                               |          |           |
|----------|---------------------|-------------------------------|----------|-----------|
| PRODUCT  | RJ311108SF702716-LF | <b>COIL<br/>SPECIFICATION</b> | DATE     | 2021/6/29 |
| SPEC.NO. | C-7711-068(01)      |                               | CODE NO. | C07711068 |

**PCB JACK SEPCIFICATION :**

1. OCL:350uH Min. @100KHz/100m VRMS 8mA DC BIAS
2. INSERTION LOSS : -1.2dB Max. @ 100KHz to 100MHz
3. RETURN LOSS : -18dB Min. @ 1MHz to 30MHz  
-14dB Min. @ 30MHz to 60MHz  
-12dB Min. @ 60MHz to 80MHz  
-10dB Min. @ 80MHz to 100MHz
4. CROSS TALK : -30dB Min. @ 1MHz to 100MHz
5. CMR : -30dB Min. @ 1MHz to 100MHz
6. Isolation Voltage: 1500V/AC(Input to Output)
7. Operating Temperature : -40~85°C



**COILMASTER ELECTRONICS CO., LTD.**