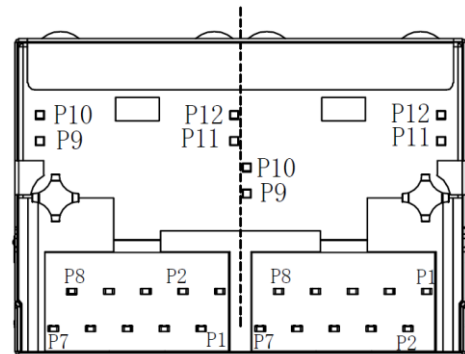
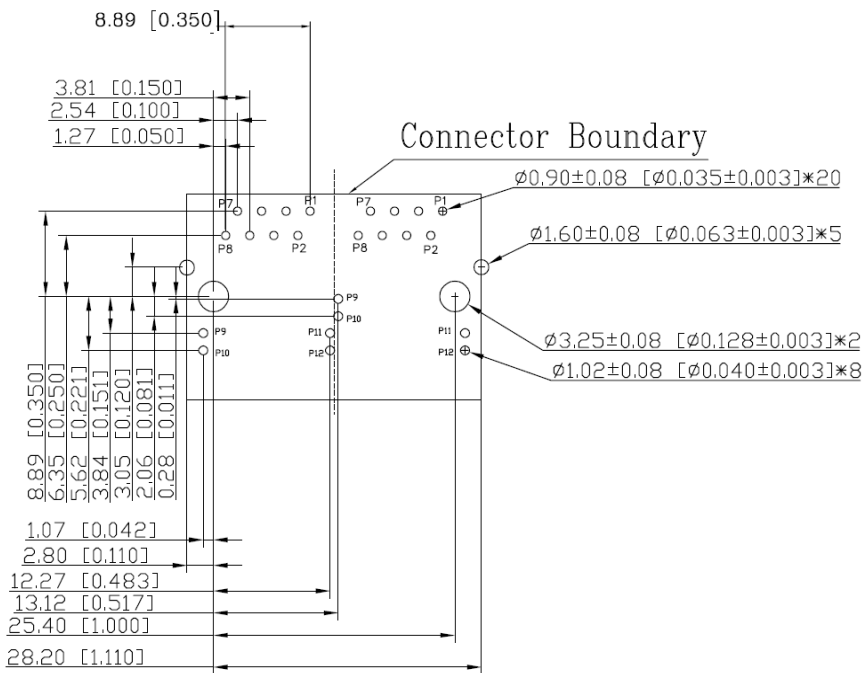
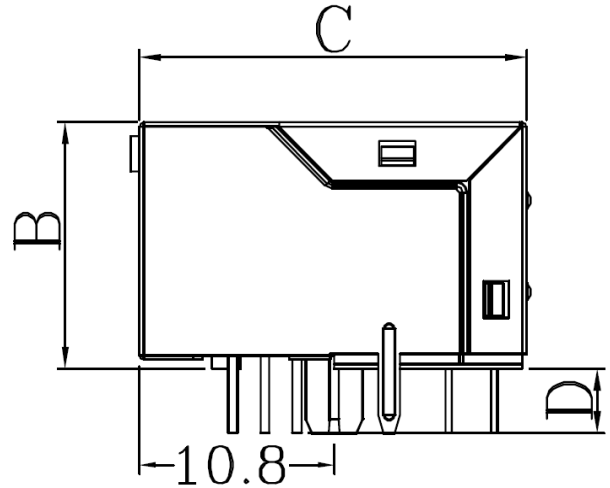
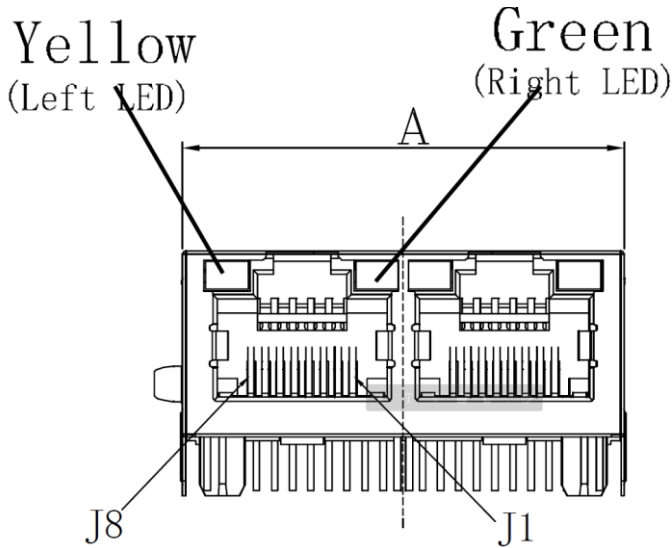


PRODUCT	RJ311208E5009-LF	COIL SPECIFICATION	DATE	2020/8/16
SPEC.NO.	C-7712-005(01)		CODE NO.	C07712005

1*2 Port RJ45 Jack With 10/100 Base-T Magnetics Module

EXTERNAL DIMENSIONS :



- A : 31.0 m/m
- B : 13.5 m/m
- C : 21.5 m/m
- D : 3.5 m/m

X±0.35

Marking: 311208E5009

CME YYWW(date code)

Housing : LCP UL94 V-0

Contact : Cooper alloy

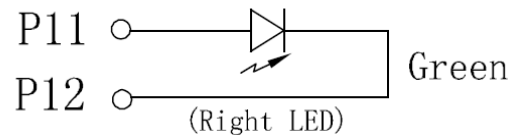
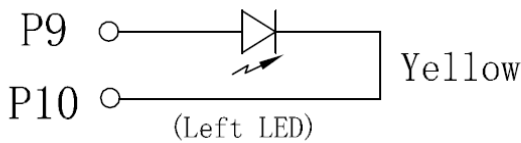
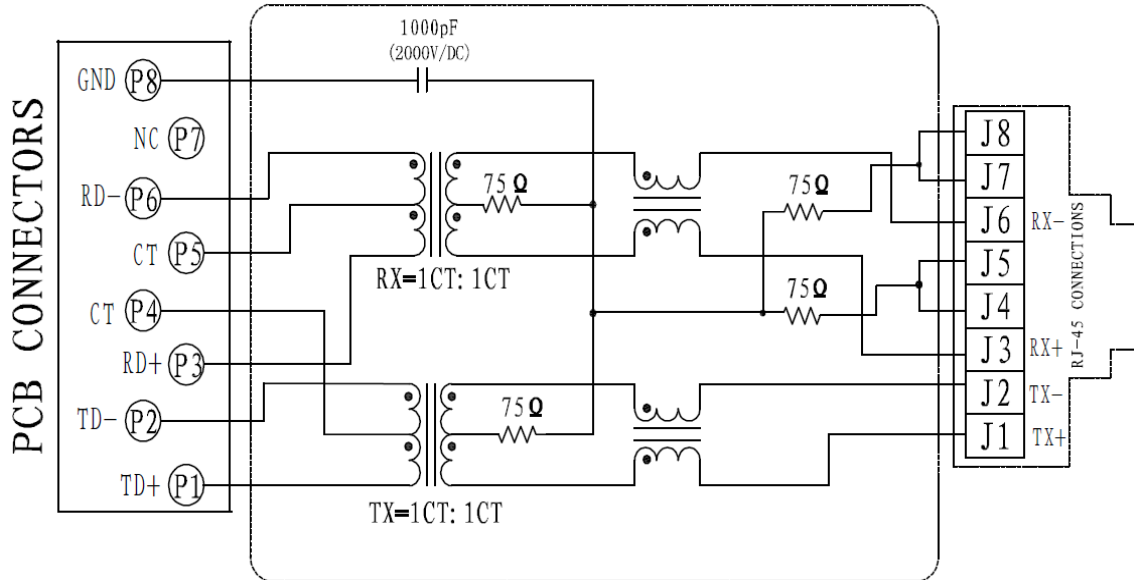
Shield Plating : Nickel

Durability : 800 mating Min

Meets IEEE802.3af

PRODUCT	RJ311208E5009-LF	COIL SPECIFICATION	DATE	2020/8/16
SPEC.NO.	C-7712-005(01)		CODE NO.	C07712005

Schematics:



ELECTRICAL CHARACTERISTIC :

1. Isolation Voltage: 1500V/AC(Input to Output)
2. OCL:350uH Minmum @100KHz 100mV 8mA DC
3. Instertion Loss: -1.2dB Maximum @100KHz-100MHz
4. Return Loss:
 - 18dB Minimum @1MHz-30MHz
 - 14dB Minimum @30MHz-60MHz
 - 12dB Minimum @60MHz-80MHz
 - 10dB Minimum @80MHz-100MHz
5. Common Mode Rejection: -30dB Minimum @1MHz-100MHz
6. Cross Talk: -30dB Minimum @1MHz-100MHz
7. Operation Temperature: -40°C to +85°C
8. Storage Temperature: -40°C to +85°C

COILMASTER ELECTRONICS CO., LTD.