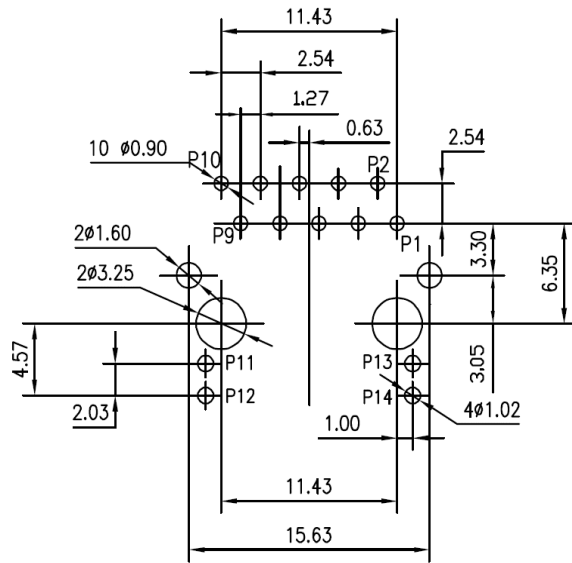
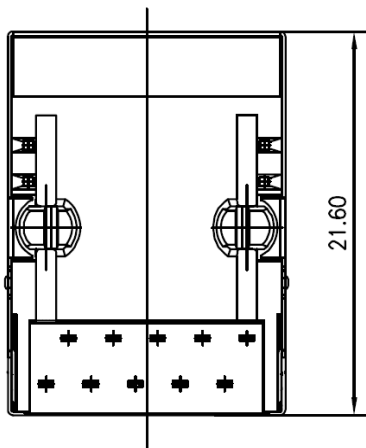
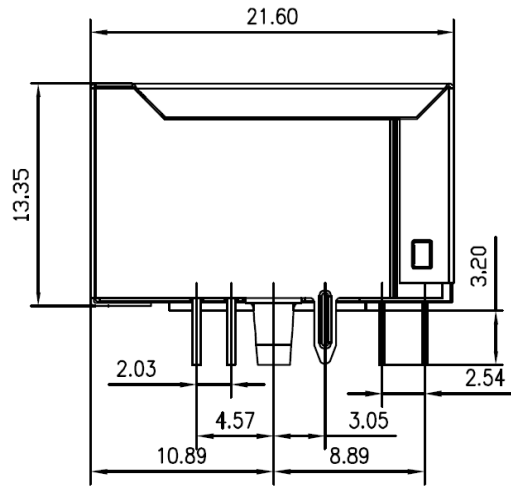
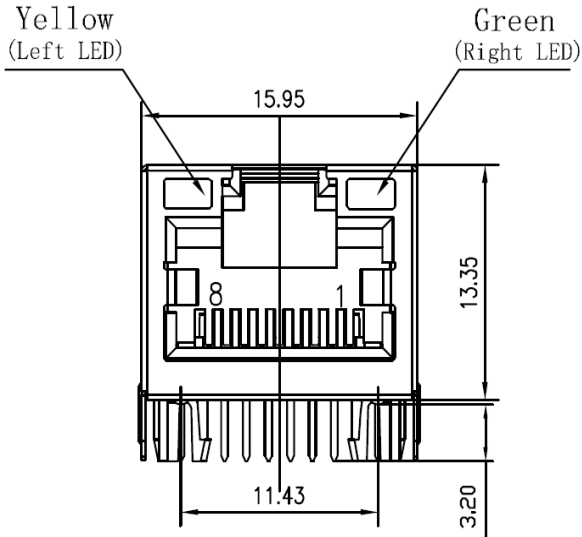


PRODUCT	RJ3116302BD-LF	<b>COIL SPECIFICATION</b>	DATE	2020/8/21
SPEC.NO.	C-7716-063(00)		CODE NO.	C07716063

**EXTERNAL DIMENSIONS :**



Suggest PCB Layout (Top View)

Tolerance : .XXX  $\pm$ 0.05      .X  $\pm$ 0.25  
                  .XX  $\pm$ 0.20

Angles :  $\pm$ 1°

Unit : mm / inch

Notes : Contact plating : Gold 6 micro-inches min. In contact area.

Meets IEEE 802.3 specification

Marking : 3116302BD

CME YYWW(date code)

PRODUCT	RJ3116302BD-LF	<b>COIL SPECIFICATION</b>	DATE	2020/8/21
SPEC.NO.	C-7716-063(00)		CODE NO.	C07716063

**ELECTRICAL CHARACTERISTIC@25°C :**

1. Isolation Voltage: 1500V / AC (Input to Output)
2. OCL: 350uH Min @100KHz 100mV 8mA DC
3. Insertion Loss: - 1.2 dB Maximum @ 0.1MHz-100MHz
4. Return Loss:
  - 18 dB Min @ 1MHz - 30MHz
  - 14 dB Min @ 30MHz - 60MHz
  - 12 dB Min @ 60MHz - 80MHz
  - 10 dB Min @ 80MHz - 100MHz
5. Common Mode Rejection - 30 dB Min @ 1MHz - 100MHz
6. Cross Talk: - 30 dB Min @ 1MHz - 100MHz
7. Operating Temperature: - 40 ~ 85°C

**SCHEMATIC DRAWING :**

