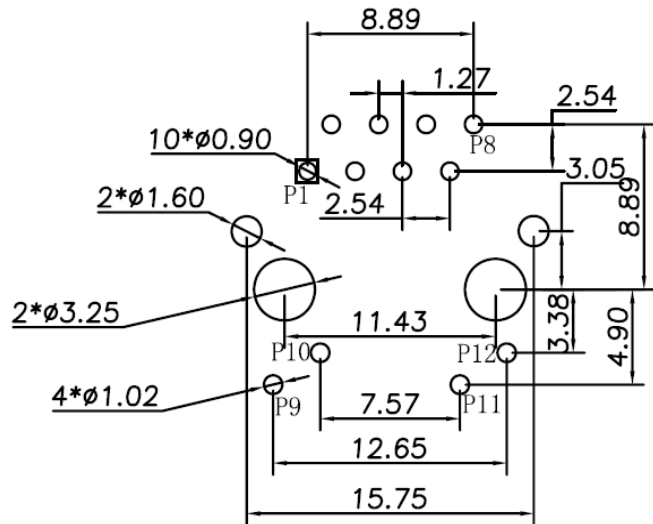
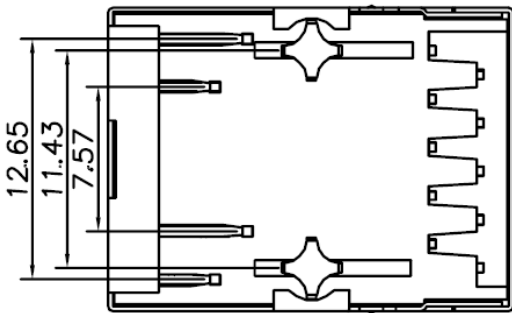
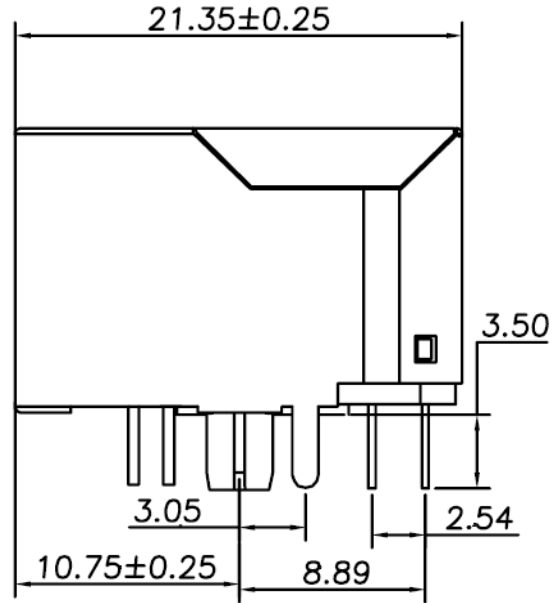
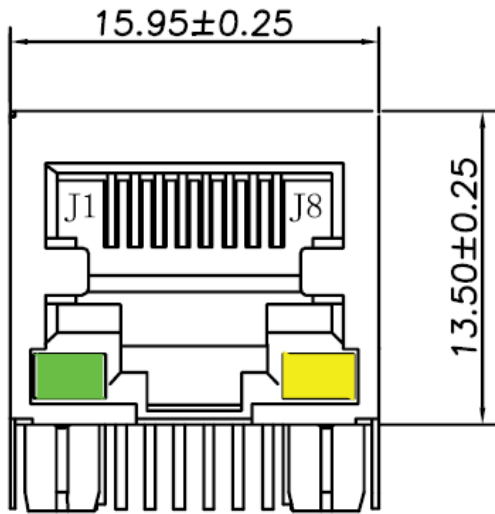


PRODUCT	RJ314110A-LF	COIL SPECIFICATION	DATE	2016/12/12
SPEC.NO.	C-7741-017(00)		CODE NO.	C07741017

EXTERNAL DIMENSIONS :



Tolerance : .XXX +/-0.13
.XX +/-0.25

Marking: 314110A
CME YYWW

Notes : Contact plating : Gold 6 micro-inches min. In contact area.

COILMASTER ELECTRONICS CO., LTD.

PRODUCT	RJ314110A-LF	COIL SPECIFICATION	DATE	2016/12/12
SPEC.NO.	C-7741-017(00)		CODE NO.	C07741017

ELECTRICAL CHARACTERISTIC @25°C :

Turn Ratio($\pm 3\%$) : 1CT : 1CT

Inductance OCL : 350uH Min. @100KHz/0.1V, 8mA DC Bias

Insertion Loss : -1.0 dB Max. @1.0-100MHz

Return Loss : -16dB Min. @1-30 MHz

-14dB Min. @30-60 MHz

-10dB Min. @60-80 MHz

Cross talk : -40dB Min. @1-30 MHz

-35dB Min. @30-60 MHz

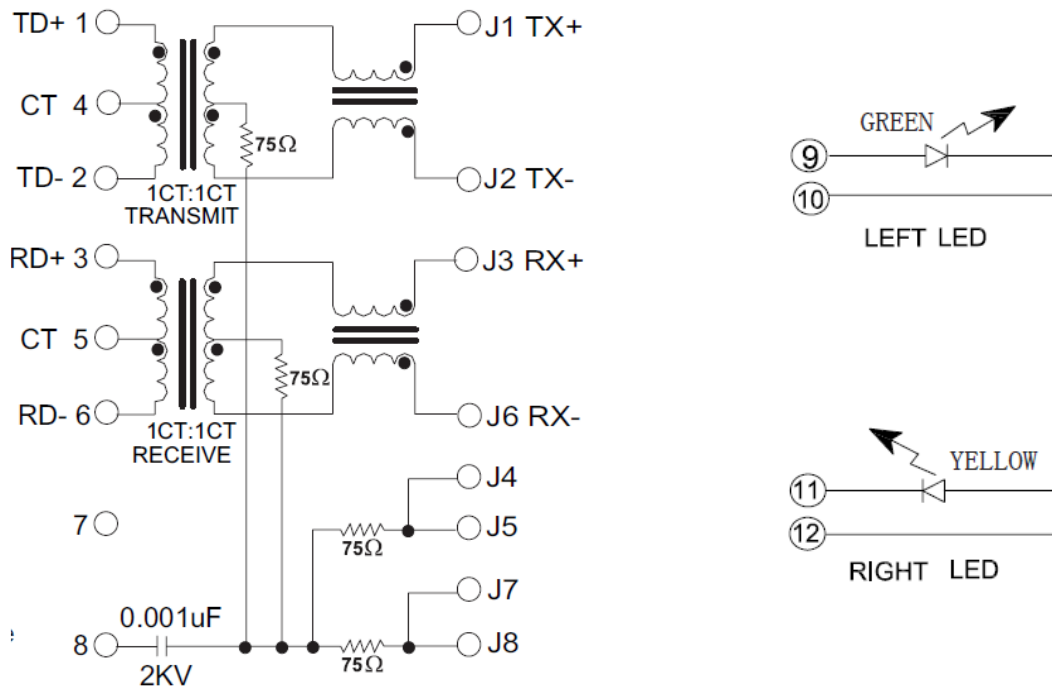
-30dB Min. @60-80MHz

Common Mode Rejection : -35dB Min. @1-100MHz

HIPOT TEST : 1500V AC 6s 1mA

OPERATING TEMPERATURE RANGE : 0°C ~ +70°C

SCHEMATIC DRAWING :



COILMASTER ELECTRONICS CO., LTD.