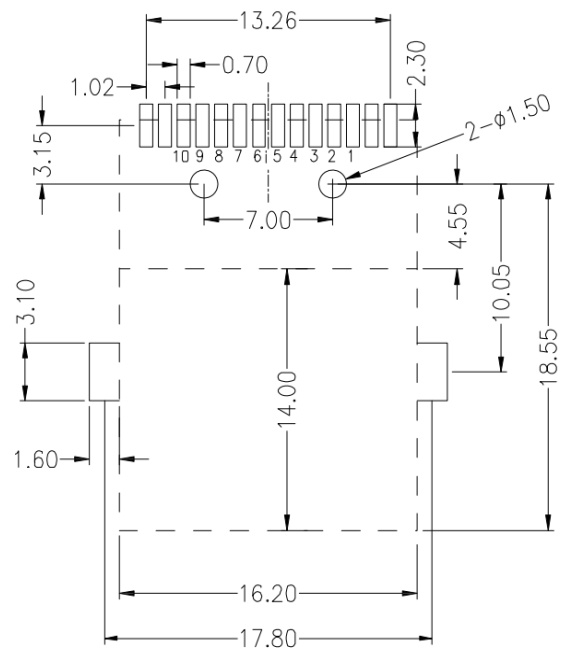
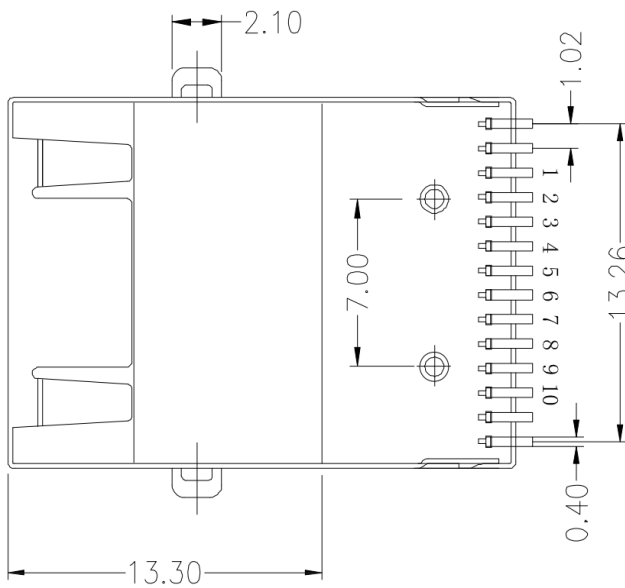
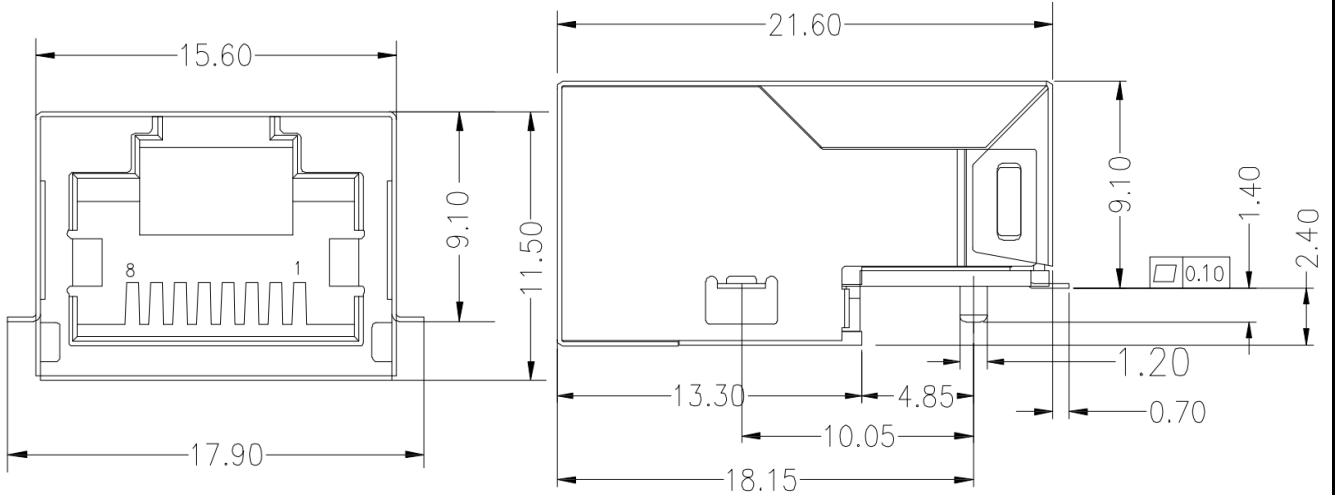


<b>PRODUCT</b>	<b>RJ31M19006D-LF</b>	<b>COIL SPECIFICATION</b>	<b>DATE</b>	<b>2022/8/8</b>
<b>SPEC.NO.</b>	<b>C-7719-035(00)</b>		<b>CODE NO.</b>	<b>C07719035</b>

**EXTERNAL DIMENSIONS :**



Tolerance : .XXX ±0.05    .X    ±0.25  
                  .XX    ±0.20

Angles : ±1°

Unit : mm

Notes : Contact plating : Gold 6 micro-inches min. In contact area.

Meets IEEE 802.3 specification

**Marking : 31M19006D**

**CME YYWW(date code)**

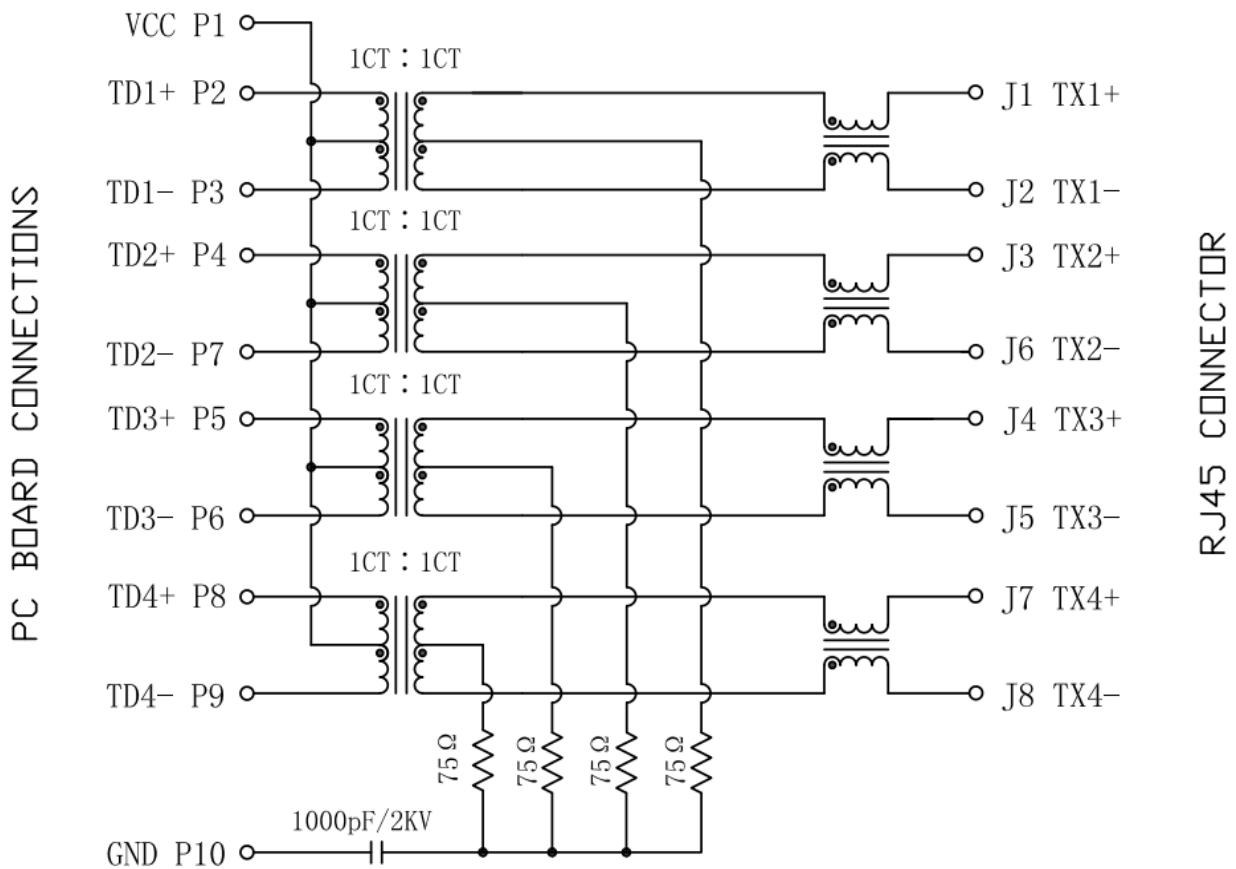
**COILMASTER ELECTRONICS CO., LTD.**

<b>PRODUCT</b>	<b>RJ31M19006D-LF</b>	<b>COIL SPECIFICATION</b>	<b>DATE</b>	<b>2022/8/8</b>
<b>SPEC.NO.</b>	<b>C-7719-035(00)</b>		<b>CODE NO.</b>	<b>C07719035</b>

**ELECTRICAL CHARACTERISTIC @25°C :**

- 1. Turns Ration ( $\pm 5\%$ ) : 1CT : 1CT
- 2. Inductance OCL : 150uH Min. @ 100KHz / 0.1V
- 3. Return Loss (Min.) : 1-40MHz : -20dB  
40-200MHz :  $-20+15 \cdot \text{LOG}_{10}(f/40)$
- 4. Crosstalk (Min.) : 1-125MHz : -30dB
- 5. Insertion Loss(Max.) : 1-50MHz : -0.5dB  
50-125MHz : -1.0dB
- 6. CMR(dB Min) : 30~200MHz : -30dB
- 7. Common Mode to Differential Mode Rejection(dB Min): 10-125MHz :  $-45+f/35$   
100-125MHz : -25dB
- 8. Hi-Pot : 1500Vrms Min
- 9. Operating Temperature :  $-40^{\circ}\text{C} \sim +85^{\circ}\text{C}$

**SCHEMATIC DRAWING :**



**COILMASTER ELECTRONICS CO., LTD.**