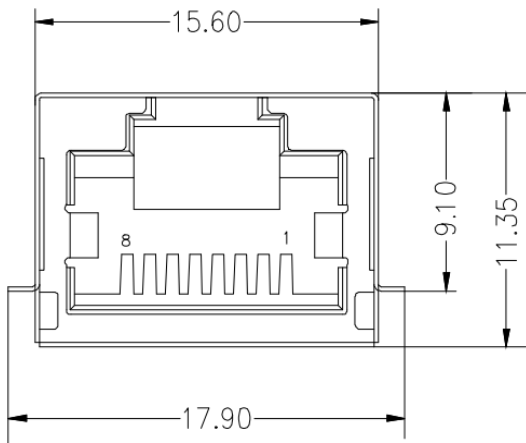


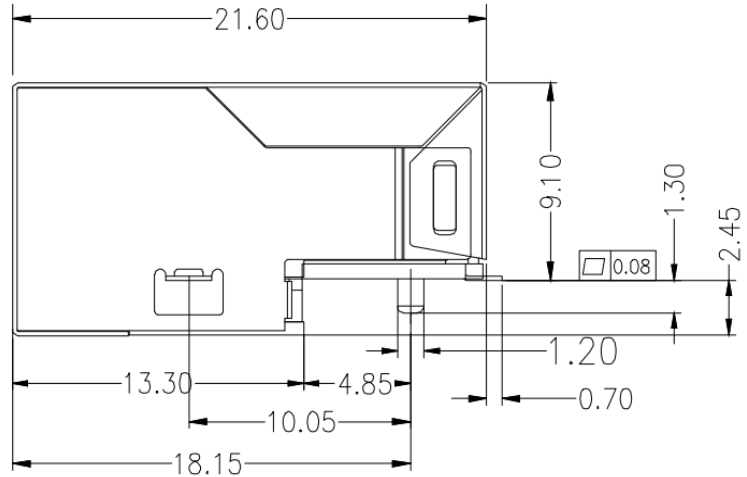
PRODUCT	RJ31M1906D-LF	COIL SPECIFICATION	DATE	2022/4/28
SPEC.NO.	C-7719-033(00)		CODE NO.	C07719033

EXTERNAL DIMENSIONS :

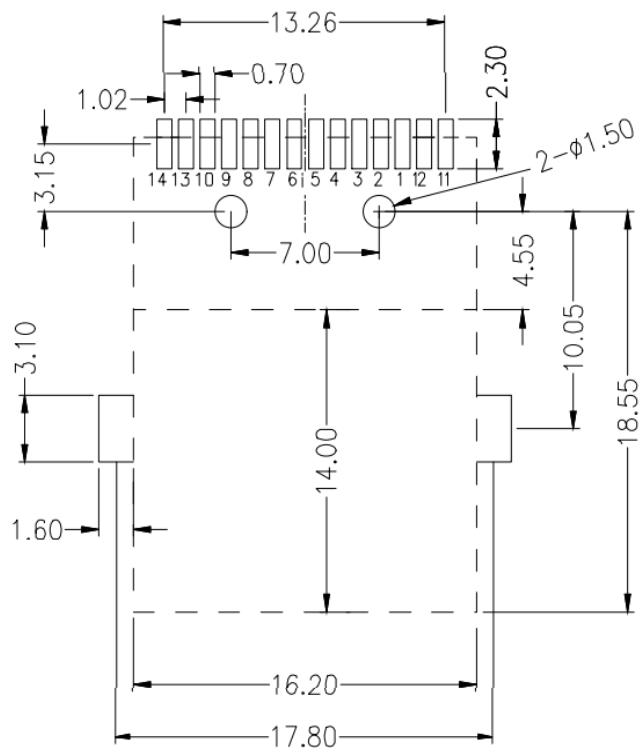
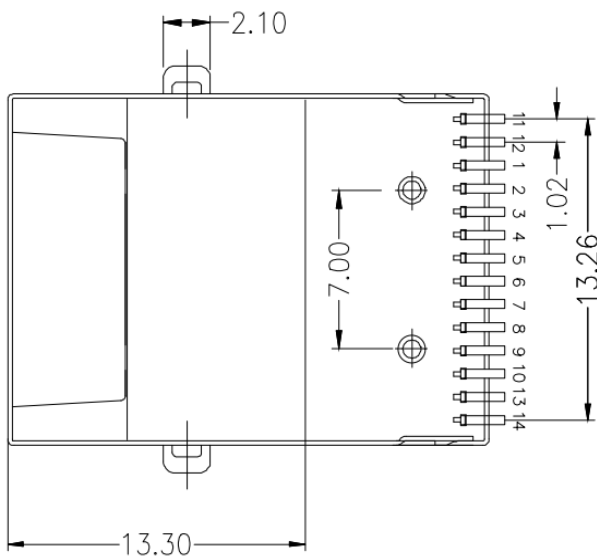
FRONT VIEW



SIDE VIEW



BOTTOM VIEW



Tolerance : .XXX ±0.05 .X ±0.25
 .XX ±0.20

Marking : 31M1906D

CME YYWW(date code)

Angles : ±1°

Unit : mm

Notes : Contact plating : Gold 6 micro-inches min. In contact area.

Meets IEEE 802.3 specification

COILMASTER ELECTRONICS CO., LTD.

PRODUCT	RJ31M1906D-LF	COIL SPECIFICATION	DATE	2022/4/28
SPEC.NO.	C-7719-033(00)		CODE NO.	C07719033

ELECTRICAL CHARACTERISTIC @25°C :

1. Turns Ration ($\pm 5\%$) : 1CT : 1CT
2. Inductance OCL : 200uH Min. @ 100KHz / 0.1V
3. Return Loss (Min.) : 1-30MHz : -16dB
30-100MHz : -12dB
100-150MHz : -10dB
4. Crosstalk (Min.) : 1-125MHz : -25dB
5. Insertion Loss(Max.) : 1-100MHz : -1.0dB
100-125MHz : -1.5dB
6. CMR(dB Min) : 1-125MHz : -30dB
7. Common Mode to Differential Mode Rejection(Db Min): 1-100MHz : -30dB
100-125MHz : -25dB
8. Isolation Hi-Pot : 2250VDC Min @60s
9. Operating Temperature : -40°C ~ +85°C

SCHEMATIC DRAWING :

