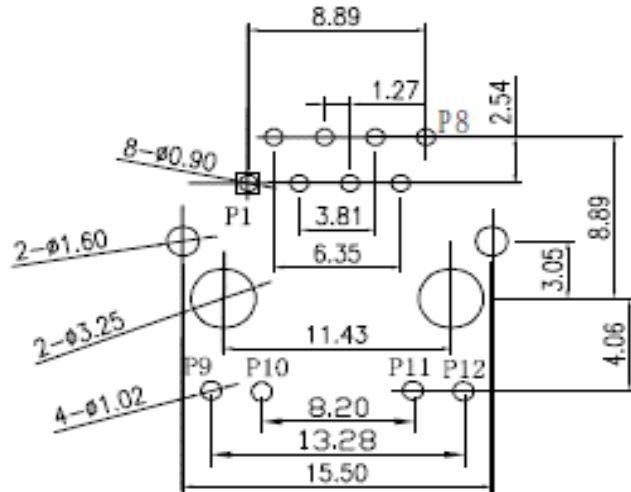
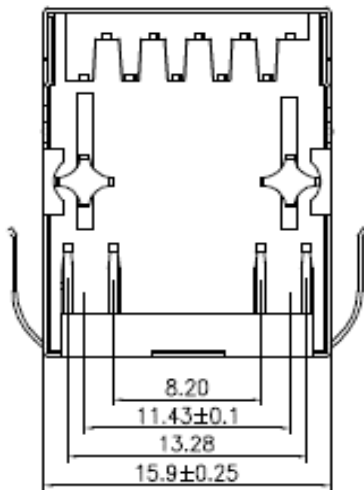
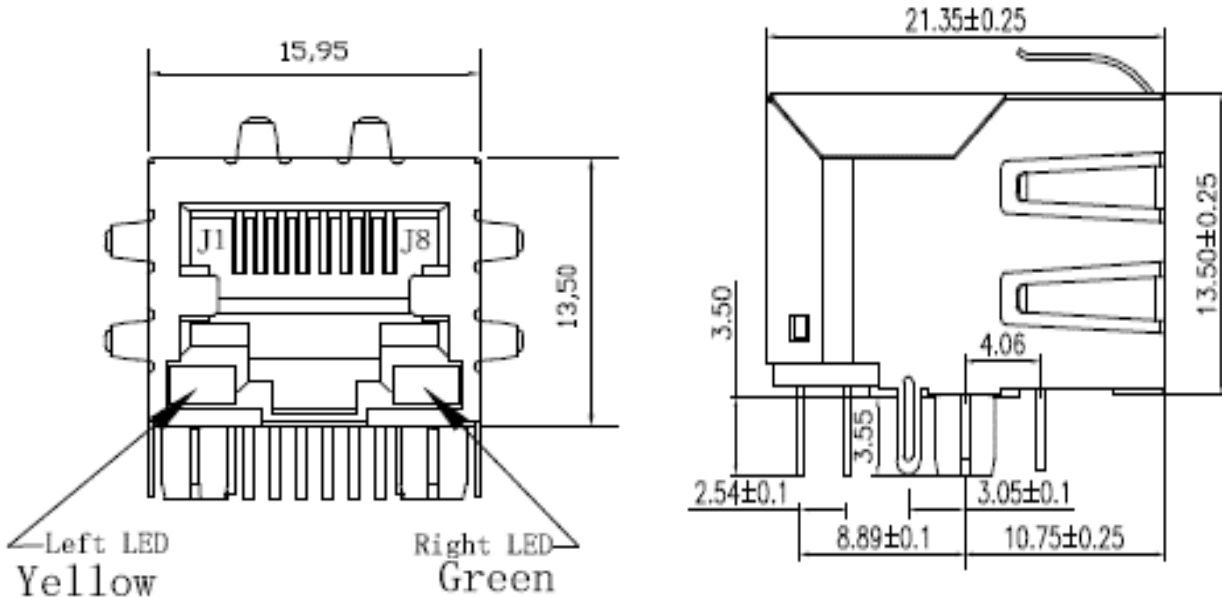


PRODUCT	RJ321104D10214-LF	<b>COIL SPECIFICATION</b>	DATE	2022/5/6
SPEC.NO.	C-7711-049(00)		CODE NO.	C07711049

**EXTERNAL DIMENSIONS :**

**1\*1 Port RJ-45 Jack POE**

**With 10/100 Base-T Magnetic Module**



P. C. B RECOMMENDED HOLE LAYOUT SEEN FROM COMPONENT SIDE.

ALL CENTERLINE DIMENSIONS ARE BASIC

Housing : UL94 V-0  
 Contact : Cooper Alloy  
 Contact Plating : Gold 6u"  
 Meet IEEE802.3af standard

Marking : 321104D10214  
 CME YYWW(date code)

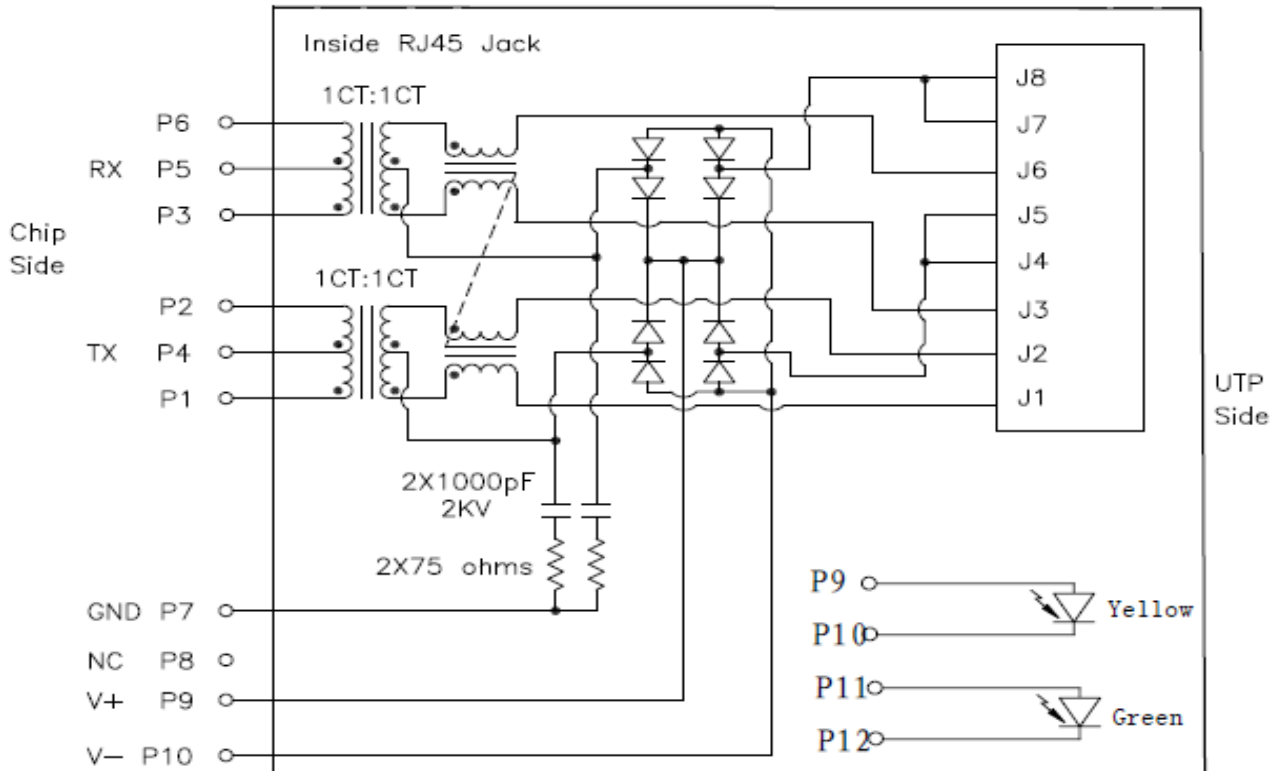
**COILMASTER ELECTRONICS CO., LTD.**

<b>PRODUCT</b>	<b>RJ321104D10214-LF</b>	<b>COIL SPECIFICATION</b>	<b>DATE</b>	<b>2022/5/6</b>
<b>SPEC.NO.</b>	<b>C-7711-049(00)</b>		<b>CODE NO.</b>	<b>C07711049</b>

**ELECTRICAL CHARACTERISTIC : @25°C**

Insertion Loss : 0.1-100MHz -1.2dB MAX  
 Return Loss : 1-30MHz -18dB MIN  
                   30-60MHz -14dB MIN  
                   60-80MHz -12dB MIN  
                   80-100MHz -10dB MIN  
 Cross Talk : 1-100MHz -30.0dB MIN  
 Isolation Voltage : 1500V AC (Input to Output)  
 CMR : 1-100MHz -30.0dB MIN  
 OCL : 350uH @100KHz 100mV 8mA DC  
 Operating Temperature: -40°C ~ 85°C  
 Storage Temperature: -40°C ~ 85°C

**SCHEMATIC DRAWING :**



**COILMASTER ELECTRONICS CO., LTD.**