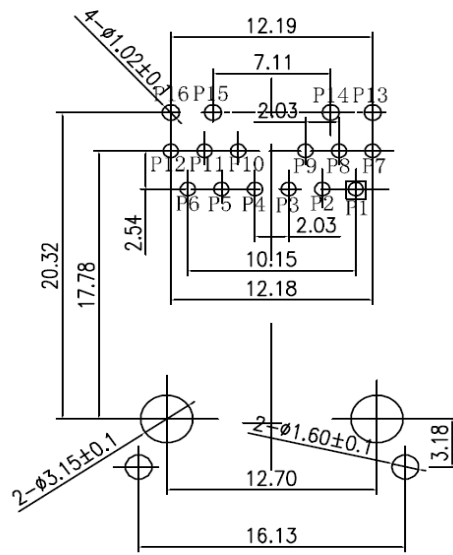
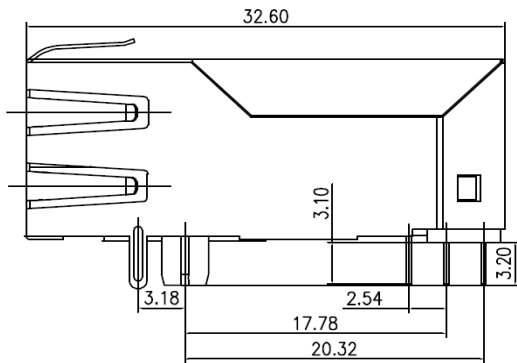
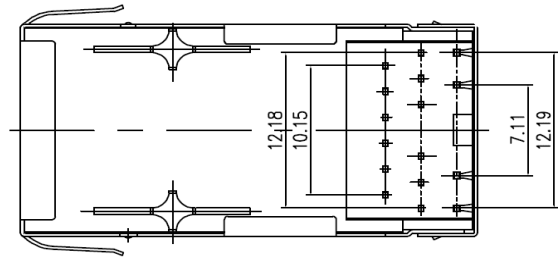
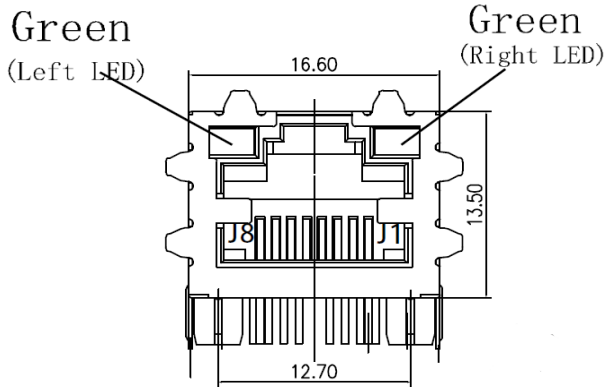


PRODUCT	RJ321108D600114-LF	COIL SPECIFICATION	DATE	2021/3/5
SPEC.NO.	C-7711-047(00)		CODE NO.	C07711047

EXTERNAL DIMENSIONS :

1*1 Port RJ-45 Jack

With 100/1000 Base - T Magnetics Module



Seen from Component Side

Unit mm / inch

Tolerance: ± 0.3

Contact plating : Gold 6u min. in contact area.

Housing : Thermoplastic UL94 V0

Durability : 800 mating Min

IEEE802.3af Standard

Marking : 321108D600114

CME YYWW(date code)

COILMASTER ELECTRONICS CO., LTD.

PRODUCT	RJ321108D600114-LF	COIL SPECIFICATION	DATE	2021/3/5
SPEC.NO.	C-7711-047(00)		CODE NO.	C07711047

ELECTRICAL CHARACTERISTIC : @25°C

OCL: 350uH Min. @100KHz 100mV 8mA DC

Isolation Voltage : 1500V AC(Input to Output)

Insertion Loss : 1MHz-100MHz -1.2dB Max.

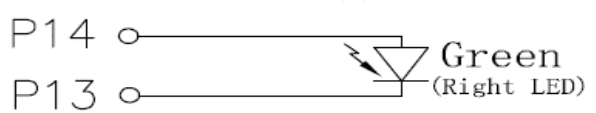
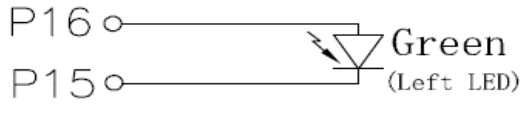
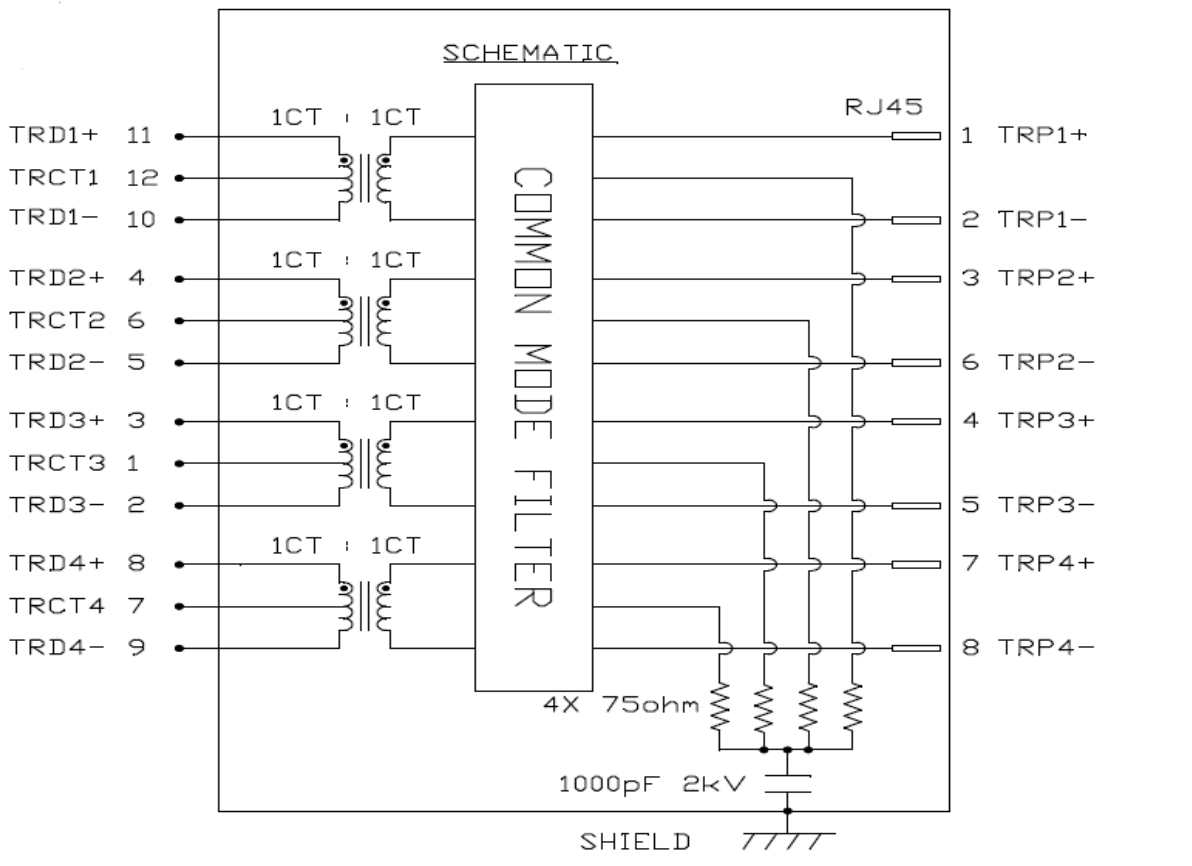
Return Loss : 1-30MHz -18.0dB MIN
30-60MHz -14.0dB MIN
60-80MHz -12.0dB MIN
80-100MHz -10.0dB MIN

Cross Talk : 1-100MHz -30.0dB MIN

CMR : 1-100MHz -30.0dB MIN

OPERATING TEMP. RANGE : -40°C ~ +85°C

SCHEMATICS :



COILMASTER ELECTRONICS CO., LTD.