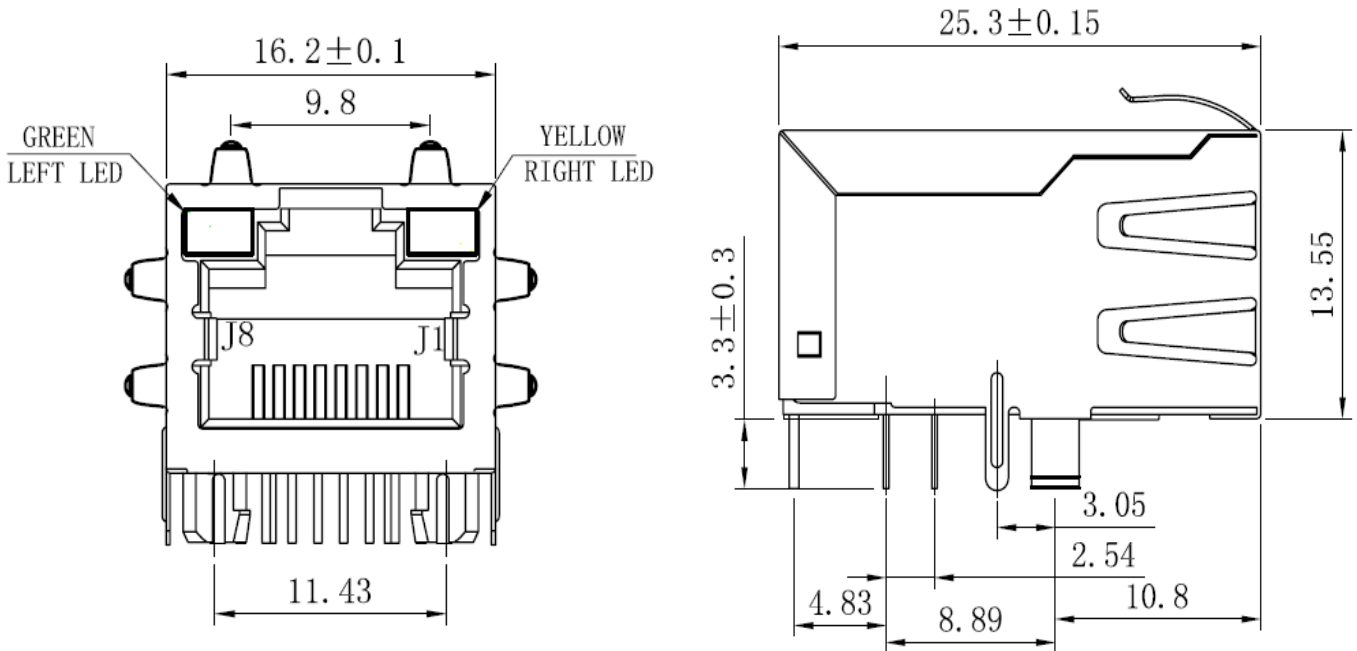
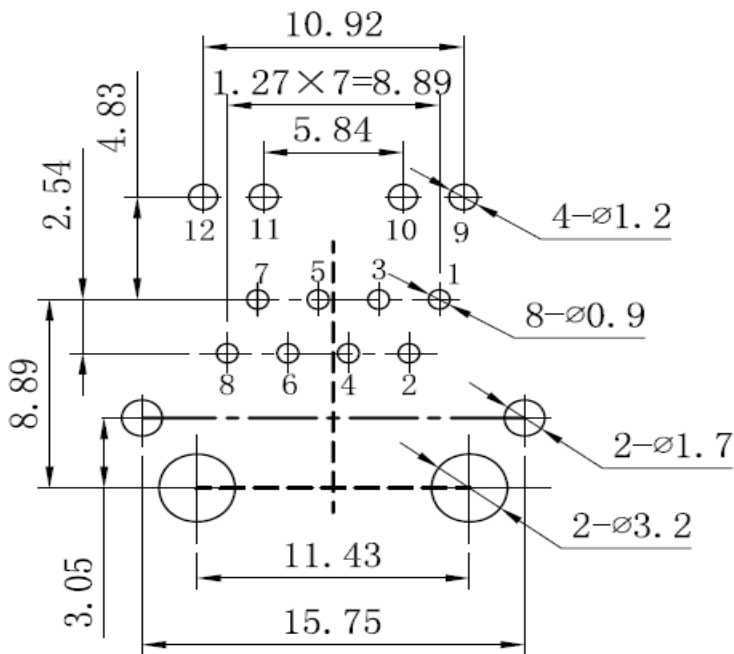


PRODUCT	RJ32111020-LF	COIL SPECIFICATION	DATE	2010/1/18
SPEC.NO.	C-7711-013(00)		CODE NO.	C07711013

EXTERNAL DIMENSIONS :



PC Board Layout



Marking : 32111020
CME YYWW(date code)

Contact plating : Gold 6 micro-inches min. in contact area.

COILMASTER ELECTRONICS CO., LTD.

PRODUCT	RJ32111020-LF	COIL SPECIFICATION	DATE	2010/1/18
SPEC.NO.	C-7711-013(00)		CODE NO.	C07711013

ELECTRICAL CHARACTERISTIC : @25°C

Insertion Loss : 1-100MHz -1.0dB MAX
 Return Loss : 1-30MHz -20.0dB MIN
 30-60MHz -15.0dB MIN
 60-80MHz -10.0dB MIN
 Cross Talk : 1-100MHz -30.0dB MIN
 Hipot : 1500V AC 6S 1mA
 (1-2) TO (J1-J2)=1500V AC 6S 1mA
 (7-8) TO (J3-J6)=1500V AC 6S 1mA
 CMR : 1-100MHz -30.0dB MIN
 OCL :@100KHz 100mV 8mA
 (1-2) = (7-8)=350uHM Min
 T/R:(1-2):(J1-J2)=1CT:1CT
 (7-8):(J3-J6)=1CT:1CT

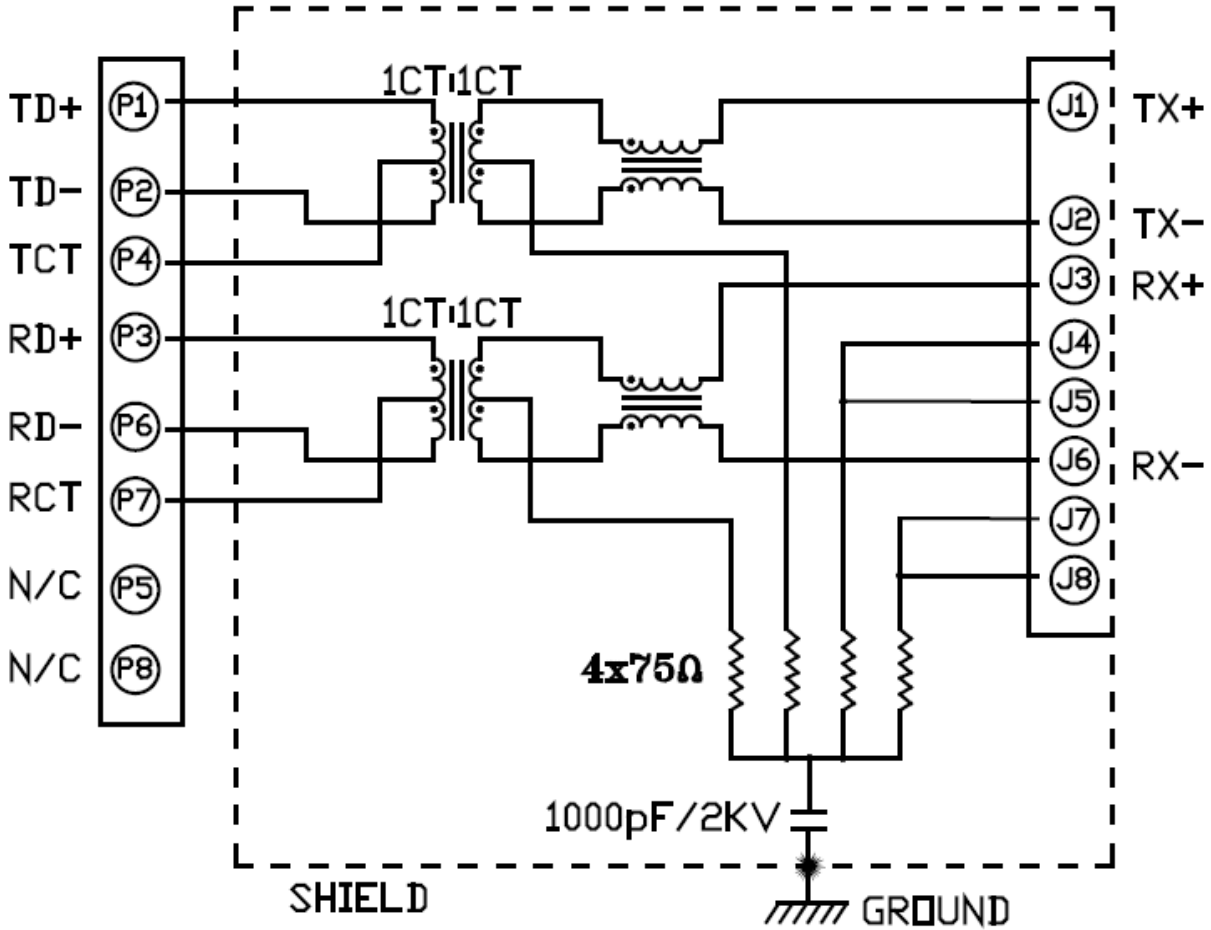
NOTES:

CURRENT RATING:1.5 MPS
 VOLTAGE RATING:125V AC
 INSULATION RESISTANCE: $\geq 1000M\Omega$
 WITHSTANDING VOLTAGE:
 AC 1000V RMS 50Hz OR 60Hz Min
 CONTACT RESITANCE : $\leq 30M\Omega$
 WORKING TEMPERATRUE:-40°C ~-70°C

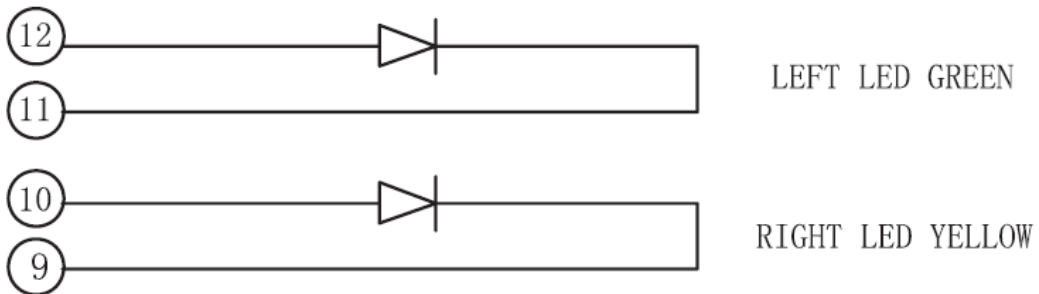
COILMASTER ELECTRONICS CO., LTD.

PRODUCT	RJ32111020-LF	COIL SPECIFICATION	DATE	2010/1/18
SPEC.NO.	C-7711-013(00)		CODE NO.	C07711013

SCHEMATIC DRAWING :



Viewed from PCB Component side



COILMASTER ELECTRONICS CO., LTD.