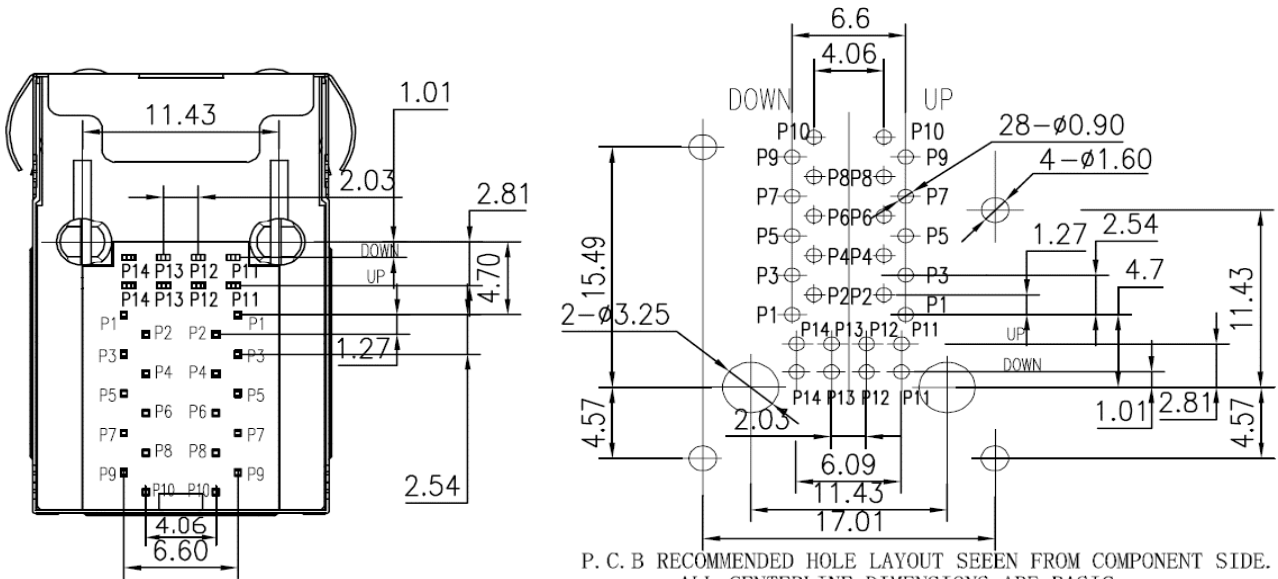
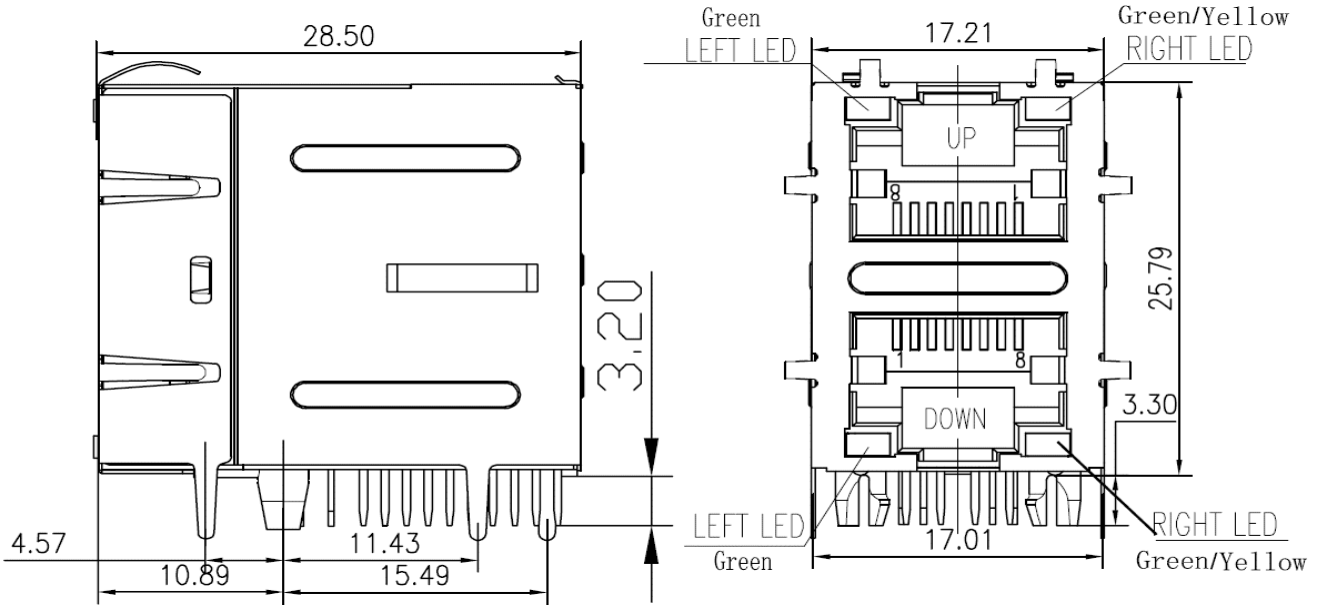


PRODUCT	RJ322116D3072-LF	COIL SPECIFICATION	DATE	2012/7/31
SPEC.NO.	C-7721-008(00)		CODE NO.	C07721008

EXTERNAL DIMENSIONS :



P. C. B RECOMMENDED HOLE LAYOUT SEEN FROM COMPONENT SIDE.
ALL CENTERLINE DIMENSIONS ARE BASIC

LED Specification

Standard LED Color	LED Wavelength	Forward (V MAX)	Typical (V TYP)	Luminous Intensity
Green	560-580 nm	2.5V	2.1-2.2V	9-25 MCD
Yellow	580-610 nm	2.5V	2.1-2.2V	9-30 MCD

Marking : RJ322116D
CME YYWW(date code)

PRODUCT	RJ322116D3072-LF	COIL SPECIFICATION	DATE	2012/7/31
SPEC.NO.	C-7721-008(00)		CODE NO.	C07721008

ELECTRICAL CHARACTERISTIC@25°C :

INSERTION LOSS : 1-400MHZ-2.0dB MAX(-1.4dB TYP.)

RETURN LOSS : 1MHZ TO 40MHZ -18dB MIN

40MHZ TO 500MHZ -17+10*Log(f/40)dB MIN

COMMON MODE REJECTION : 1-250MHZ :-30dB MIN

250-500MHZ :-22dB MIN

CROSSTALK : 1MHZ TO 100MHZ : -40dB MIN

100MHZ TO 500MHZ : -30dB MIN

COMMON MODE REJECTION : 1-100MHZ :-35dB MIN

HIPOT : P1-P2 TO J1-J2 1500AC, 60sec.

P4-P5 TO J3-J6 1500AC, 60sec.

P7-P8 TO J4-J5 1500AC, 60sec.

P10-P11 TO J7-J8 1500AC, 60sec.

OPERATION TEMPERATURE RANGE : -40°C TO +80°C

COILMASTER ELECTRONICS CO., LTD.

PRODUCT	RJ322116D3072-LF	COIL SPECIFICATION	DATE	2012/7/31
SPEC.NO.	C-7721-008(00)		CODE NO.	C07721008

SCHEMATIC DRAWING :

