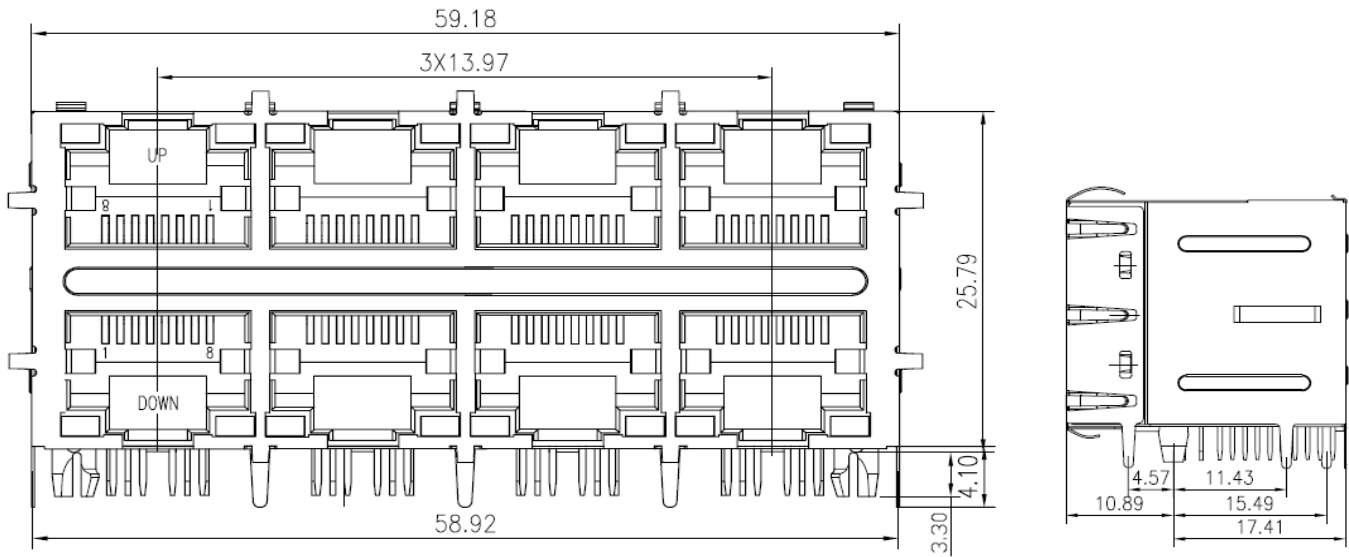
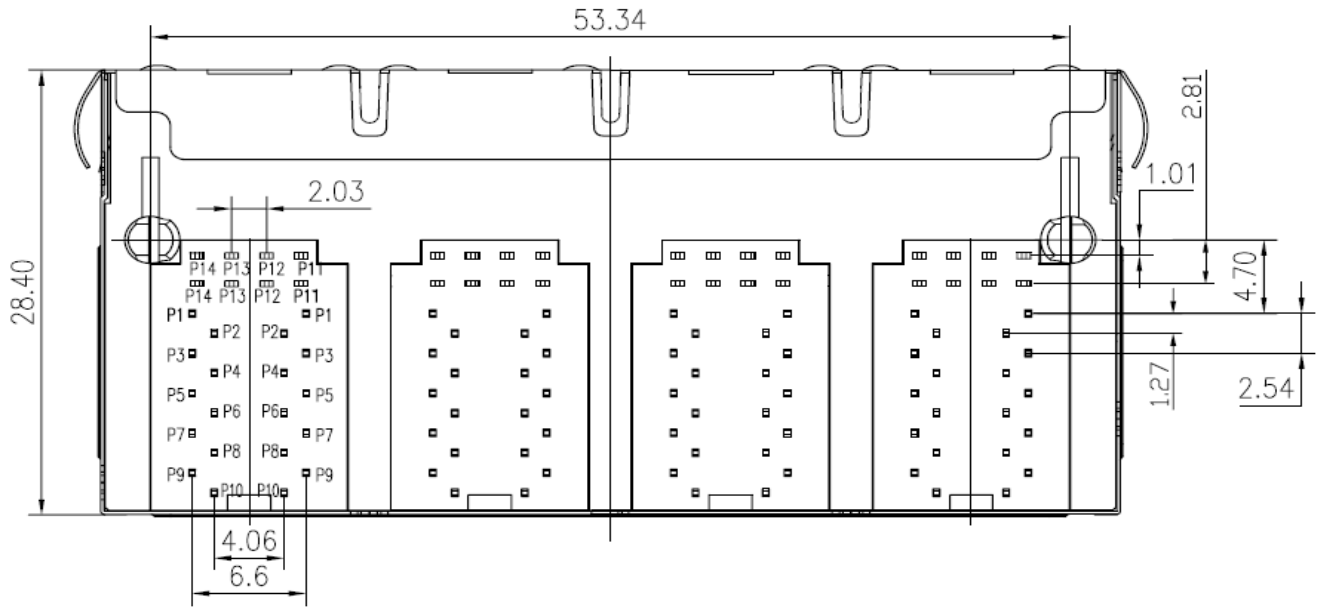


PRODUCT	RJ322464D30198-LF	COIL SPECIFICATION	DATE	2022/1/18
SPEC.NO.	C-7724-007(00)		CODE NO.	C07724007

EXTERNAL DIMENSIONS :



Marking:

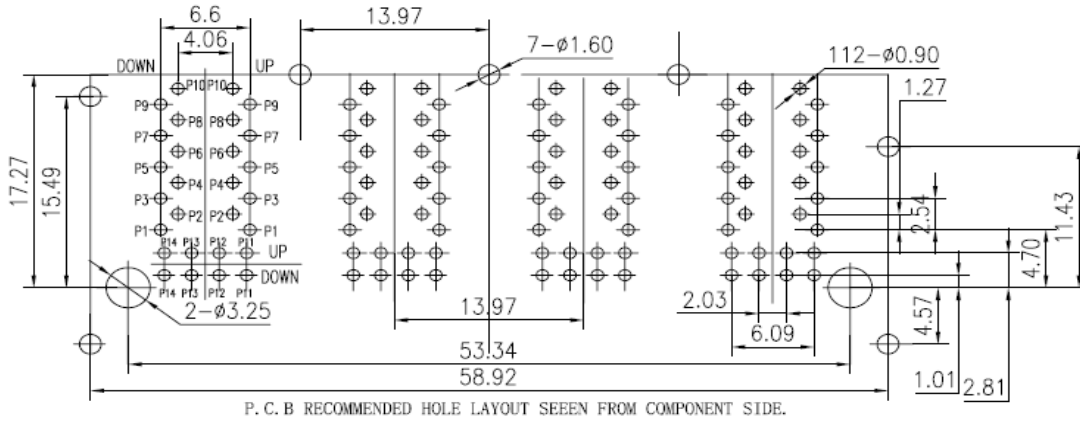
322464D30198

CME YYWW

COILMASTER ELECTRONICS CO., LTD.

PRODUCT	RJ322464D30198-LF	COIL SPECIFICATION	DATE	2022/1/18
SPEC.NO.	C-7724-007(00)		CODE NO.	C07724007

EXTERNAL DIMENSIONS :



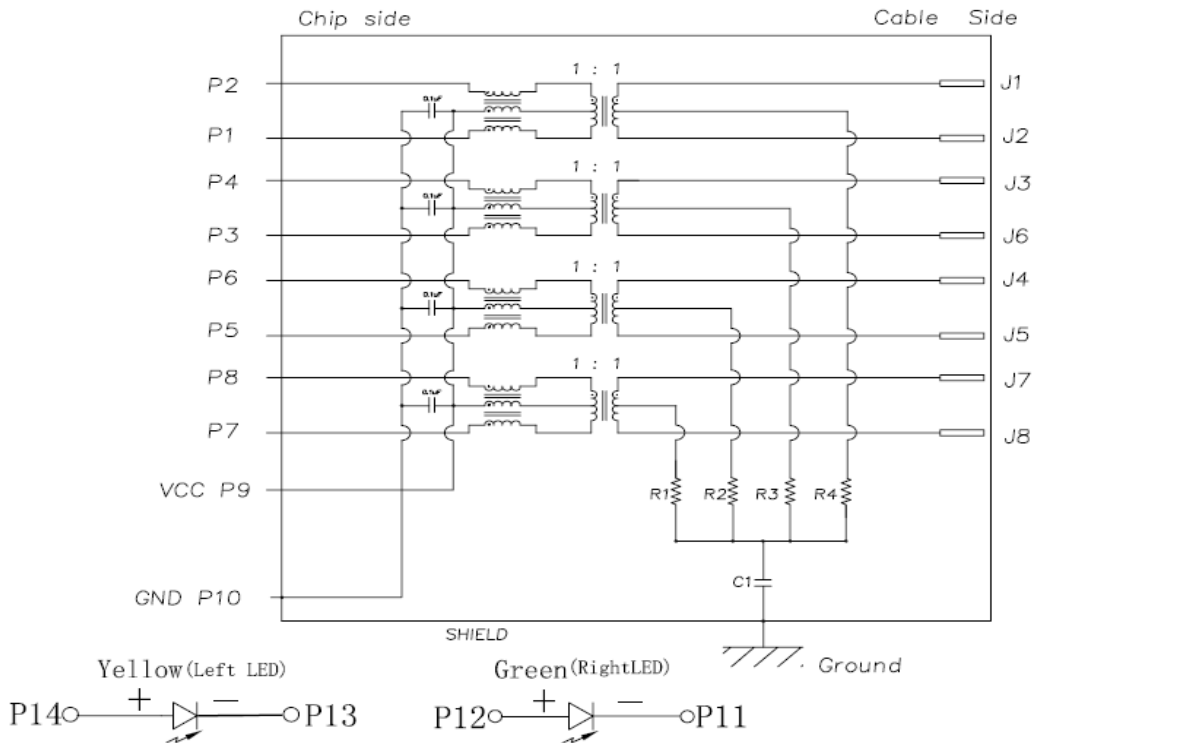
Standard LED Color	LED Wavelength	Forward (V Max)	Typical (V Typ)	Luminous Intensity
Green	560~580 nm	2.5V	2.1~2.2V	9~25 MCD
Yellow	580~610 nm	2.5V	2.1~2.2V	9~30 MCD
Orange	580~610 nm	2.5V	2.1~2.2V	50~100 MCD

With a forward current of 20mA, Absolute Maximum Rating(Ta=25°C)

Contact plating: Selective gold 6u":15u":30u":50" Min

Durability: 800 mating Min.

SCHEMATICS:



PRODUCT	RJ322464D30198-LF	COIL SPECIFICATION	DATE	2022/1/18
SPEC.NO.	C-7724-007(00)		CODE NO.	C07724007

ELECTRICAL CHARACTERISTIC @25°C :

- 1.1 Isolation Voltage:1500V/AC(input to output)
 - 1.2 OCL:350uH Min. @100KHz 0.1V 8mA DC
 - 1.3 Insertion Loss: -1.2dB Max. @100KHz-100MHz
 - 1.4 Return Loss: -18dB Min. @1MHz-30MHz
 -14dB Min. @30MHz-60MHz
 -12dB Min. @60MHz-80MHz
 -10dB Min. @80MHz-100MHz
 - 1.5 CMR: -30dB Min. @1MHz-100MHz
 - 1.6 Cross Talk: -30dB Min. @1MHz-100MHz
- Operating Temperature: -40°C~85°C