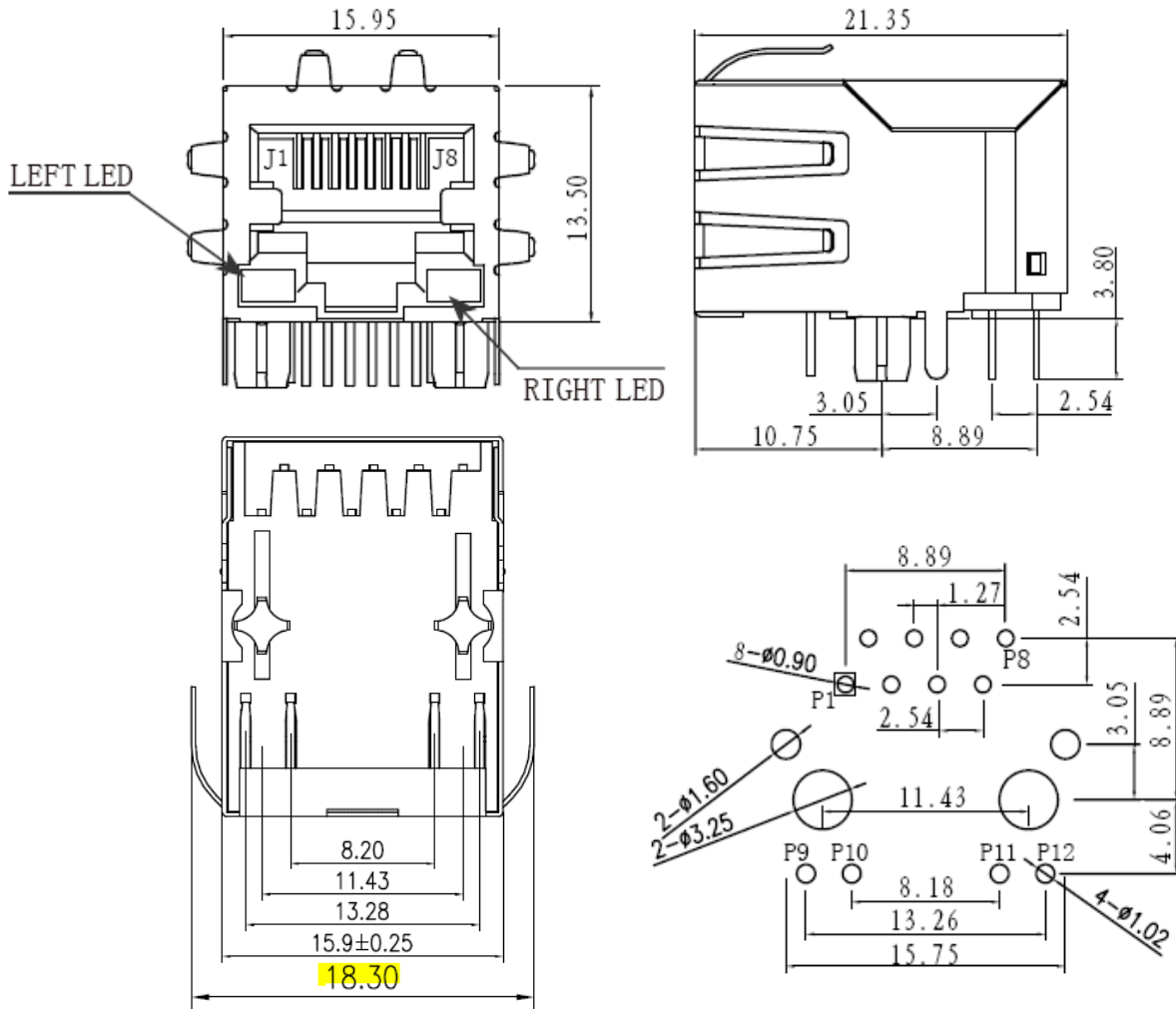


PRODUCT	RJ324109BN-LF	COIL SPECIFICATION	DATE	2017/7/4
SPEC.NO.	C-7741-019(01)		CODE NO.	C07741019

EXTERNAL DIMENSIONS :



Tolerance : .XX ±0.25  
.XXX ±0.13

Marking: 324109BN  
CME YYWW

Connector Material : Housing Material : Thermoplastic PBT, UL 94V-0, Black  
Contact/Shield : Cooper alloy  
Shield Plating : Nickel  
Contact Plating : Selective gold 6u" Min

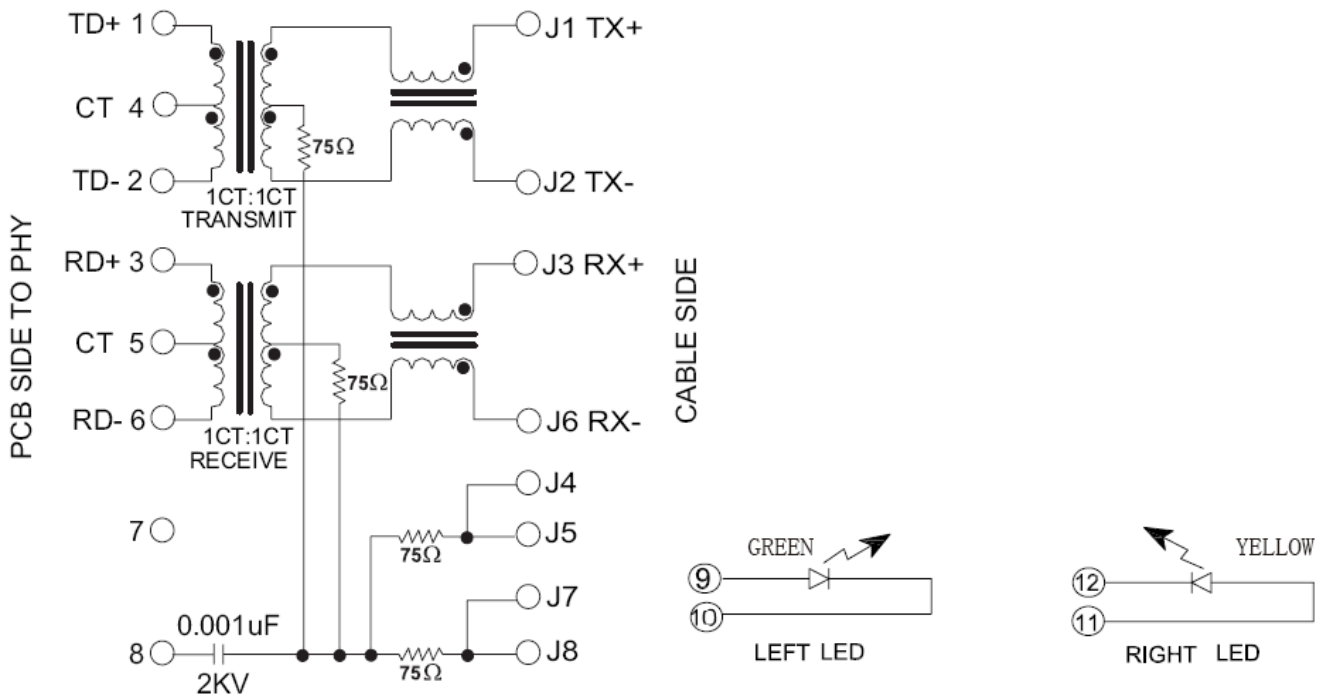
**COILMASTER ELECTRONICS CO., LTD.**

<b>PRODUCT</b>	<b>RJ324109BN-LF</b>	<b>COIL SPECIFICATION</b>	<b>DATE</b>	<b>2017/7/4</b>
<b>SPEC.NO.</b>	<b>C-7741-019(01)</b>		<b>CODE NO.</b>	<b>C07741019</b>

**ELECTRICAL CHARACTERISTIC @25°C :**

Turns Ratio( $\pm 2\%$ ): TX=1CT:1CT      RX=1CT:1CT  
Insertion Loss : 1.0-100MHz -1.0dB MAX  
Return Loss : 1-10MHz -20dB MIN  
                  10-30MHz -16dB MIN  
                  30-60MHz -12dB MIN  
                  60-100MHz -10dB MIN  
Cross Talk : 1-30MHz -40dB MIN  
                  30-60MHz -35dB MIN  
                  60-100MHz -30dB MIN  
Common Mode Rejection :               -30dB MIN @1-50MHz  
  -20dB MIN @50-150MHz  
Hipot : 1500V AC 6S 1mA  
INDUCTANCE OCL : 350uH MIN @ 100KHz 0.1V 8mA DC  
Operating Temperature : 0-70°C

**SCHEMATIC DRAWING :**



**COILMASTER ELECTRONICS CO., LTD.**