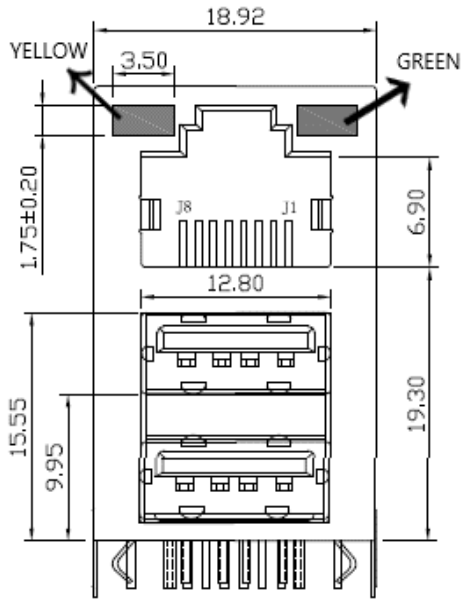
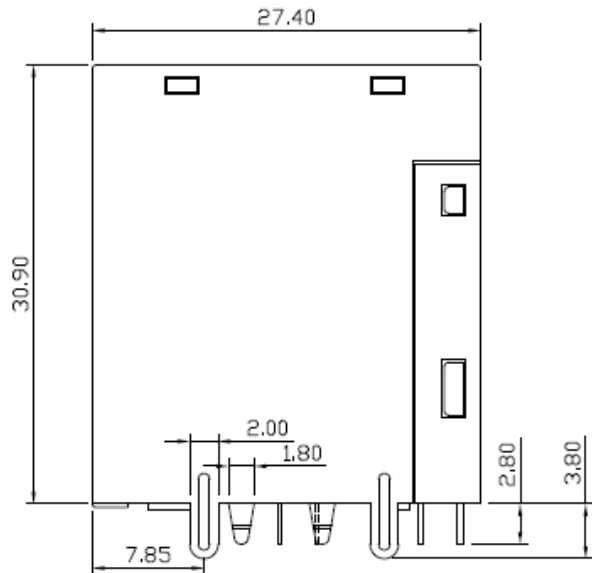


PRODUCT	RJ3245F-10103YDD2-LF	COIL SPECIFICATION	DATE	2010/8/3
SPEC.NO.	C-7745-003(01)		CODE NO.	C07745003

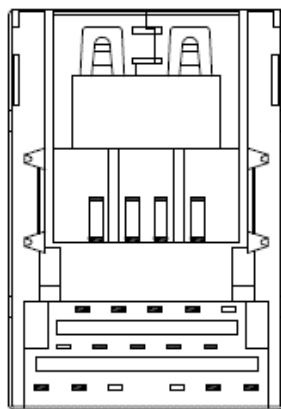
EXTERNAL DIMENSIONS :



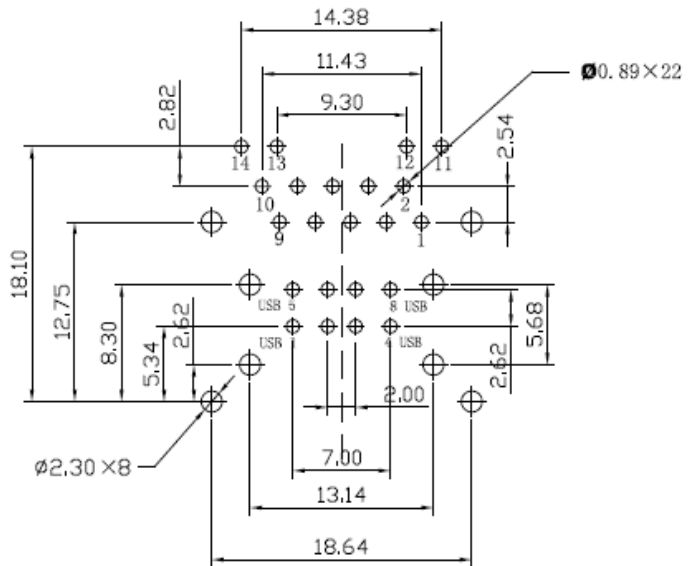
Front Side View



Left Side View



Bottom Side View



Suggested PCB Layout (Top View)

Marking : 3245F-10103YDD2
CME YYWW

PRODUCT	RJ3245F-10103YDD2-LF	COIL SPECIFICATION	DATE	2010/8/3
SPEC.NO.	C-7745-003(01)		CODE NO.	C07745003

ELECTRICAL CHARACTERISTIC (25°C) :

Turn Ratio(100KHz, 0.1V): TX =1CT:1±2%, RX = 1CT:1CT ±2%
Inductance OCL: 350uH MIN @100KHz/100mV@ 8mA, DC Bias
Insertion Loss (dB MAX): -1.0dB @1~100MHz
Return Loss (dB TYP): -18dB(1~30MHz),-16dB(30~60MHz),-12dB(60~80MHz)
Cross Talk (dB TYP): -40dB(1~10MHz),-35dB(32~60MHz),-30dB(60~100MHz)
Common Mode Rejection (dB TYP): -30dB(1~50MHz) ,-20dB(50~150MHz)
HI-POT TEST: 1500Vrms
OPERATING TEMPERATURE: 0~70°C

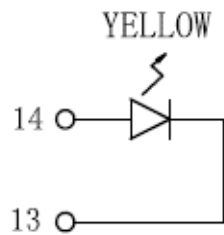
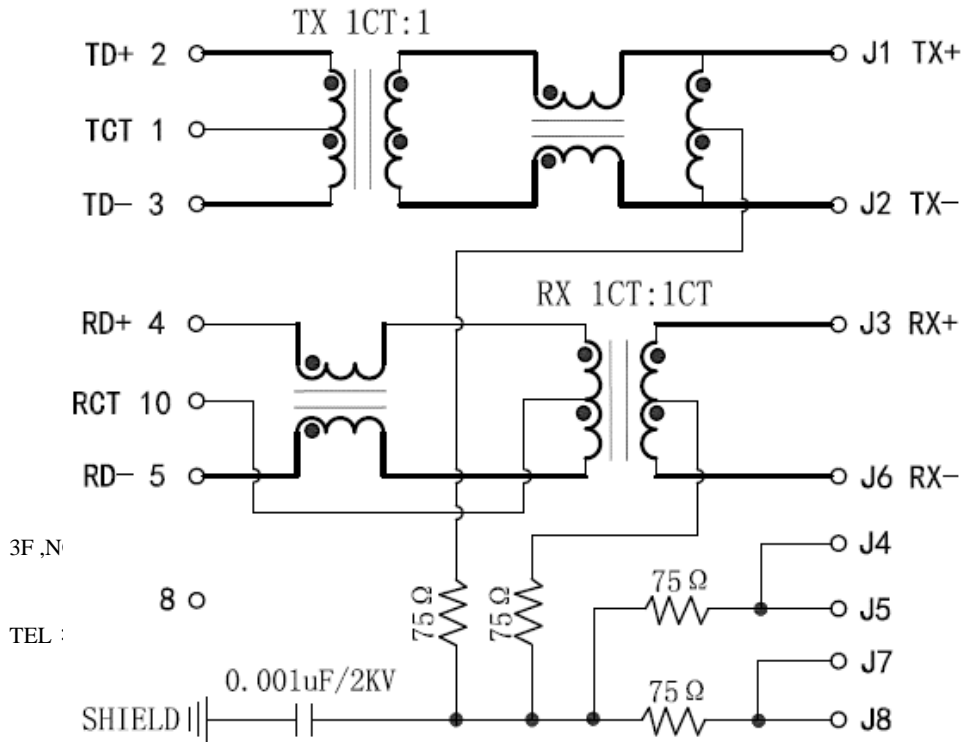
Notes:

1. Designed to support application , such as SOHO (ADSL modems), LAN on Motherboard(LOM), hub and Switches.
2. Meets IEEE 802.3 specification
3. Connector Materials:
Housing: Thermoplastic PBT+30%G.F UL94V-0
Contact: Phosphor Bronze C5210R-EH Thickness: 0.35mm
Pins: Brass C2680R-H Thickness: 0.35mm
Shield: SUS 201-1/2H Thickness: 0.2mm
Contact plating: Gold 6 micro-inches min. In contact area.
USB plating : Gold flash .
4. Wave solder tip temperature : 265 °C Max, 5 Sec.

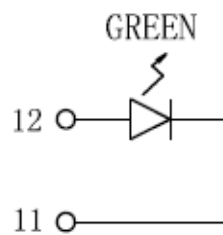
COILMASTER ELECTRONICS CO., LTD.

PRODUCT	RJ3245F-10103YDD2-LF	COIL SPECIFICATION	DATE	2010/8/3
SPEC.NO.	C-7745-003(01)		CODE NO.	C07745003

SCHEMATIC DRAWING :



LEFT LED



RIGHT LED

Emitting Color	λ_p (nm)	$V_F @ I_F = 20\text{mA}$	$I_R @ V_R = 5\text{V}$
GREEN	565	1.8~2.6V	10 μA max
YELLOW	585	1.8~2.6V	10 μA max

COILMASTER ELECTRONICS CO., LTD.