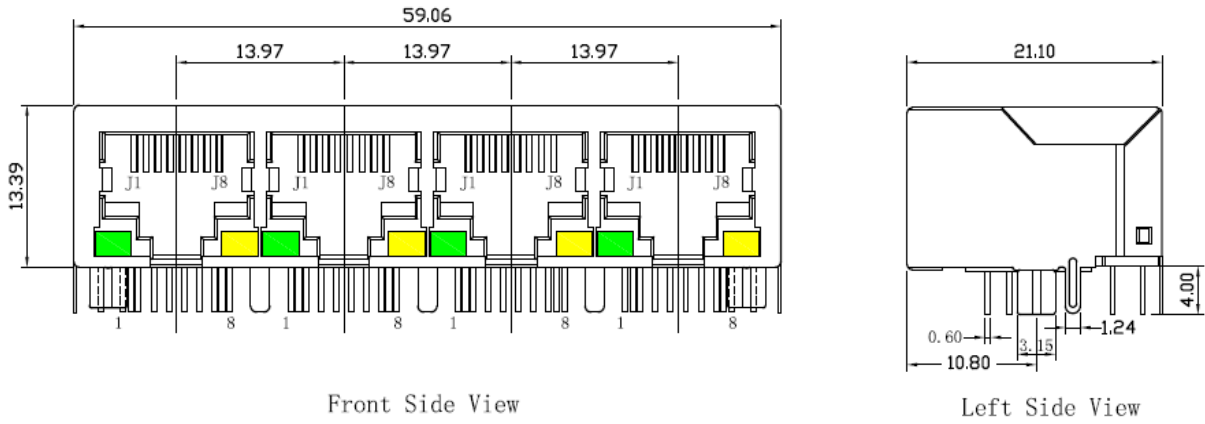


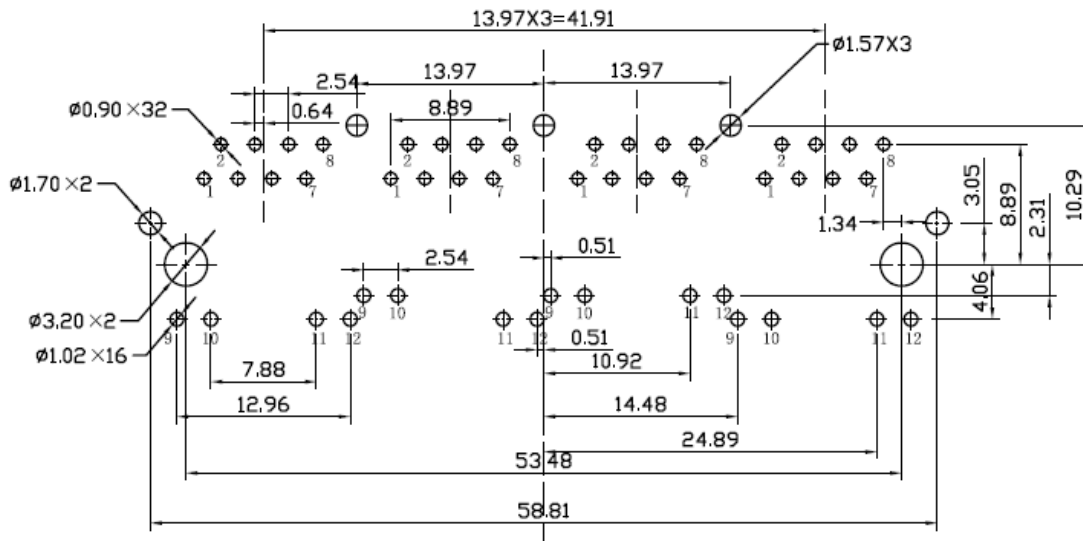
PRODUCT	RJ3246201BE-LF	COIL SPECIFICATION	DATE	2016/1/26
SPEC.NO.	C-7746-021(02)		CODE NO.	C07746021

EXTERNAL DIMENSIONS :

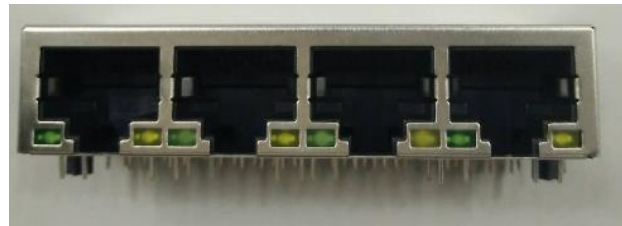


Front Side View

Left Side View



Suggested PCB Layout (Top View)



Tolerance : .XXX ± 0.05
 .XX ± 0.20
 .X ± 0.25

Contact plating: Selective gold 6u" Min.

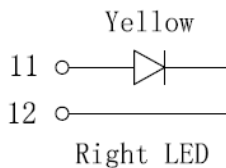
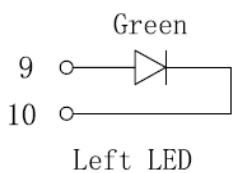
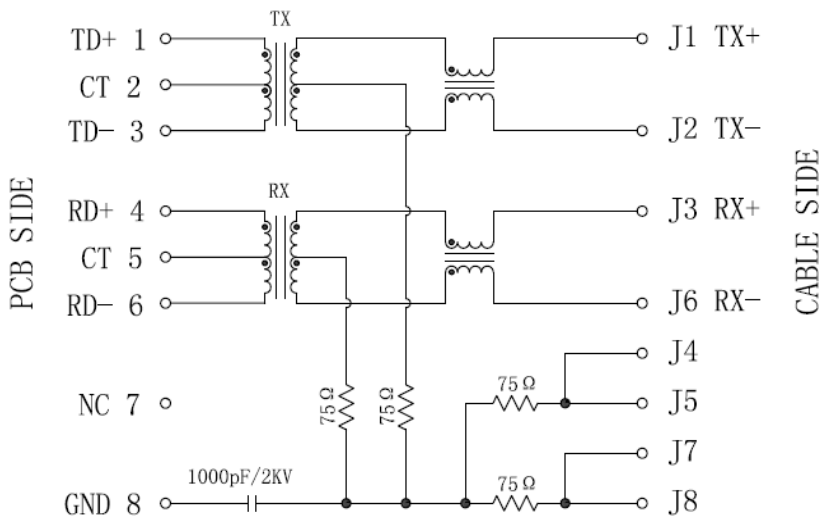
Marking: 3246201BE
 CME YYWW(date code)

PRODUCT	RJ3246201BE-LF	COIL SPECIFICATION	DATE	2016/1/26
SPEC.NO.	C-7746-021(02)		CODE NO.	C07746021

ELECTRICAL CHARACTERISTIC @25°C :

1. Insertion Loss: 1-100MHZ -1.0dB MAX
2. Return Loss: 1-30MHZ -18.0dB MIN
30-60MHZ -15.0dB MIN
60-100MHZ -12.0dB MIN
3. Cross Talk: 1-30MHZ -40.0dB MIN
30-60MHZ -35.0dB MIN
60-100MHZ -30.0dB MIN
4. CMR: 1-50MHZ -30.0dB MIN
50-150MHZ -20.0dB MIN
5. Hi-Pot: 1500v
6. Turn Ratio: 1CT:1CT+/-3%
7. DCR: 1.2Ω MAX
8. OCL: 350uH MIN @ 100KHZ 100mV 8mA DC
9. Operating temperature range: 0°C to +70°C

SCHEMATIC DRAWING :



Emitting Color	λ p(nm)	VF@IF=20mA	IR @VR=5V
Green	570	1.8~2.4V	10 μ A max
Yellow	590	1.8~2.4V	10 μ A max