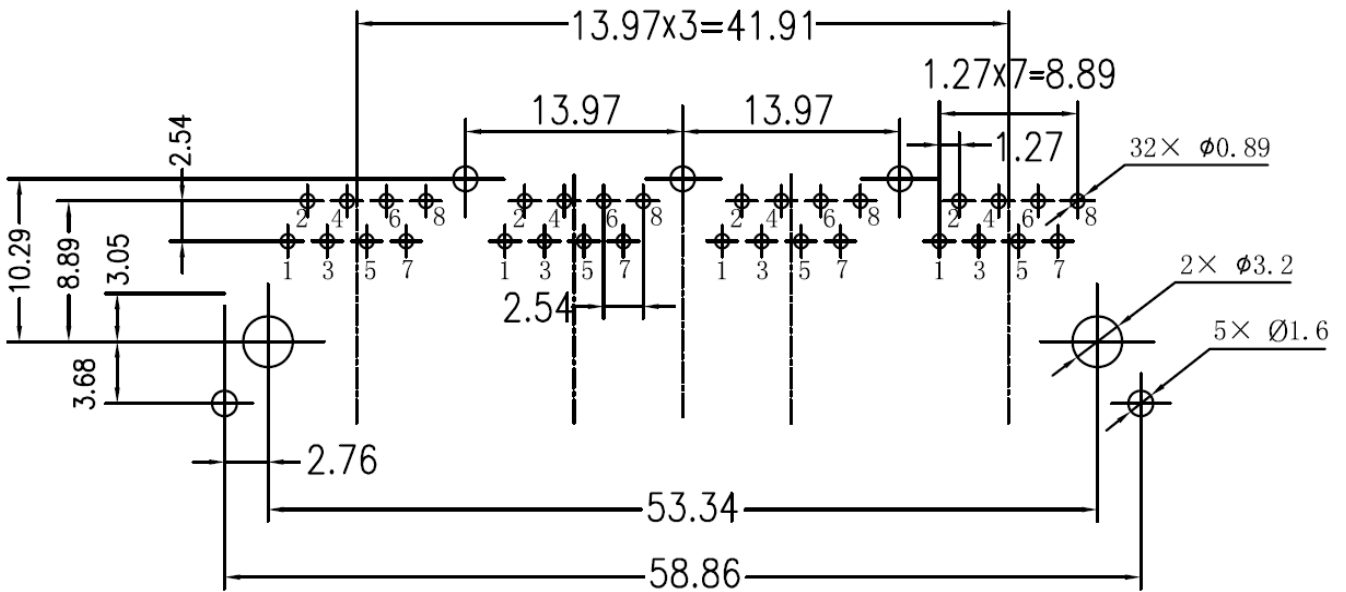
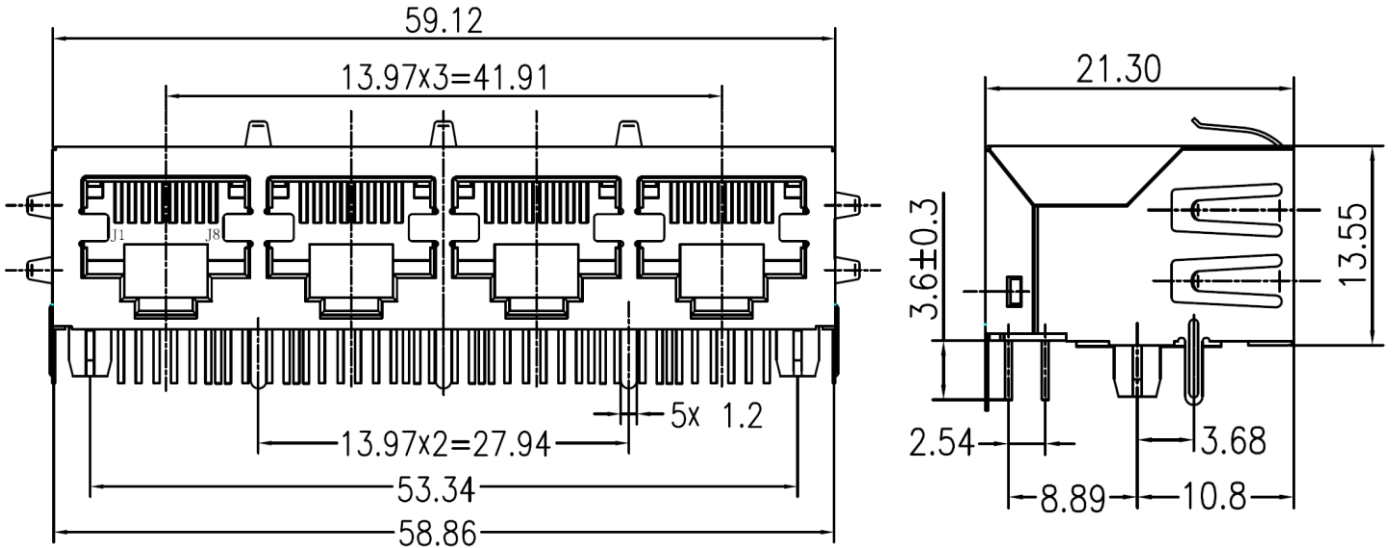


PRODUCT	RJ3246204C-LF	<b>COIL SPECIFICATION</b>	DATE	2009/7/29
SPEC.NO.	C-7746-005(01)		CODE NO.	C07746005

**EXTERNAL DIMENSIONS :**



SUGGESTED PCB LAYOUT (TOP VIEW)

Tolerance : .XXX ±0.05    .X ±0.20  
               .XX ±0.10

Marking: 3246204C  
 CME YYWW(date code)

Contact plating: Gold 6 micro-inches min. in contact area.

PRODUCT	RJ3246204C-LF	<b>COIL SPECIFICATION</b>	DATE	2009/7/29
SPEC.NO.	C-7746-005(01)		CODE NO.	C07746005

**ELECTRICAL CHARACTERISTIC @25°C :**

1. Turns Ratio ( $\pm 2\%$ ):  
TX=1CT:1CT      RX=1CT:1CT
2. 350uH MIN OCL with 8mA bias current
3. Cross Talk:  
-40dB MIN @ 1MHz to 10MHz  
-35dB MIN @ 30MHz to 60MHz  
-30dB MIN @ 60MHz to 100MHz
4. Return Loss (Min):  
-18dB MIN @ 1MHz to 10MHz  
-16dB MAX @ 30MHz  
-12dB MAX @ 60MHz to 100MHz
5. Common to Common Mode Rejection:  
-30dB MIN @ 1MHz to 50MHz  
-20dB MIN @ 50MHz to 130MHz
6. Insertion Loss (Max):  
-1.2dB MAX @ 0.1MHz to 100MHz
7. Hi-Pot: 1500VAC for 60 Seconds
8. Operating Temperature: 0°C~70°C
9. Wave Solder tip temperature : 265 Max  
Wave Solder tip temperature time : 5 sec Max

**SCHEMATIC DRAWING :**

