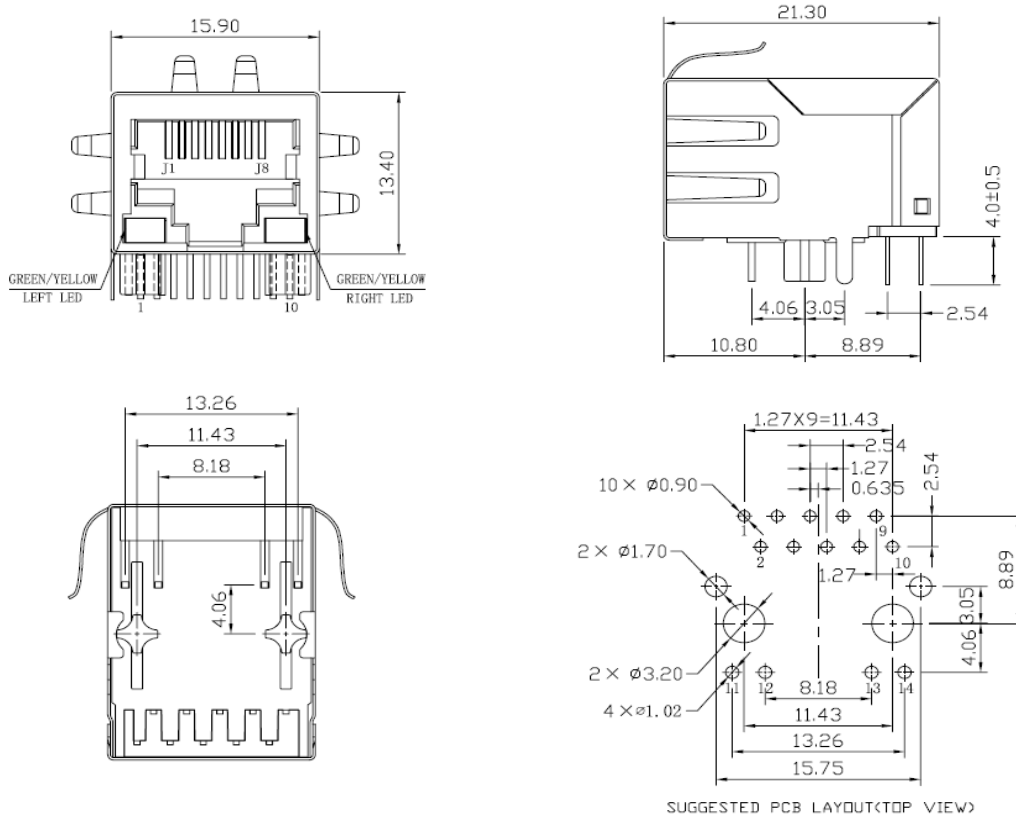


PRODUCT	RJ32G0843G4-LF	COIL SPECIFICATION	DATE	2013/6/24
SPEC.NO.	C-7708-023(01)		CODE NO.	C07708023

EXTERNAL DIMENSIONS :



ELECTRICAL CHARACTERISTIC :

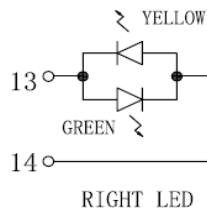
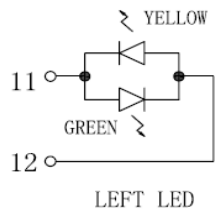
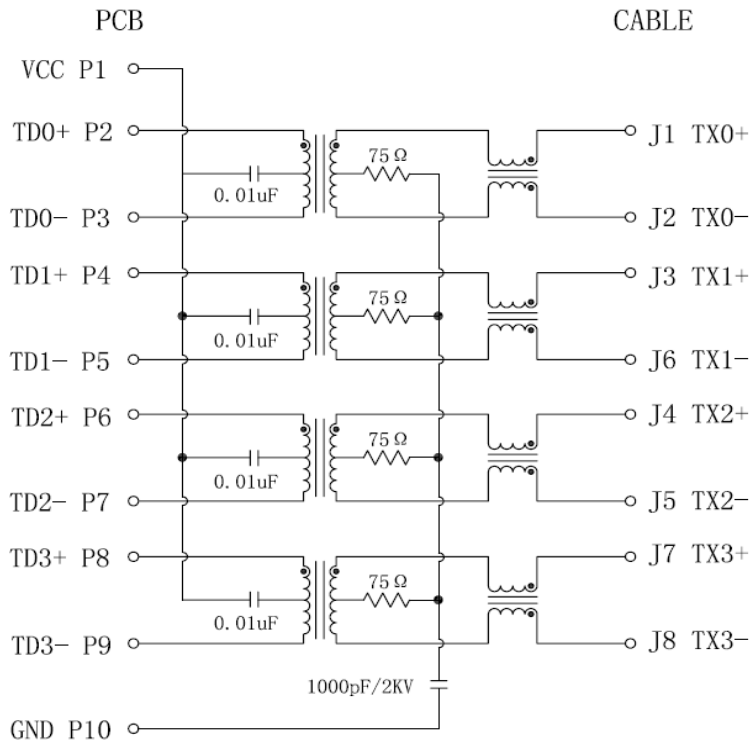
1. Turn Ratio(±2%) TX=1CT:1CT RX=1CT:1CT
2. INDUCTANCE(@100KHz , 100mV , 8mA DC BIAS):
: 350uH min
3. Insertion Loss: 1~ 65MHz : -0.5dB Max ; 65~100MHz : -0.8dB ; 100~125MHz :-1.2dB
4. Return Loss (dB Min. load 100Ω):
1 ~ 30MHz: -18 30 ~ 40MHz: -13.5
40 ~ 50 MHz: -11.5 60 ~ 80MHz: - 10.0
5. Crosstalk(dB Min) :
1~100MHz : -30
6. Common Mode Rejection (dB Min):
1~ 100 MHz: -30
7. Isolation Voltage : 1500Vrms Min.
8. Operating Temperature Range:0°C ~ 70°C

Marking : 32G0843G4
CME YYWW(date code)
*使用原始普通線包

COILMASTER ELECTRONICS CO., LTD.

PRODUCT	RJ32G0843G4-LF	COIL SPECIFICATION	DATE	2013/6/24
SPEC.NO.	C-7708-023(01)		CODE NO.	C07708023

SCHEMATIC DRAWING :



COILMASTER ELECTRONICS CO., LTD.