

SMT High Current Flat Wire Inductors

SBP141403 series

SBP141403 Series is a low-profile shielded power inductor designed for high-current power delivery applications. Featuring low DCR, high saturation current capability, and excellent thermal performance, the series is optimized for AI servers, GPU accelerator cards, FPGA platforms, networking equipment, and high-performance computing systems.

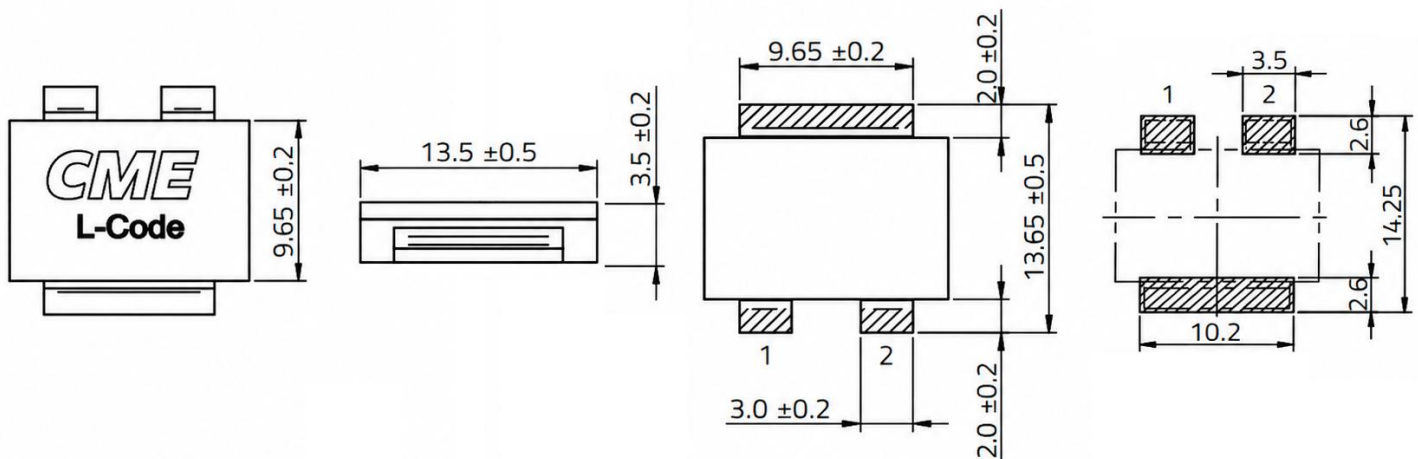


PART NUMBERING SYSTEM

SBP	141403	—	R10M	—	LF
TYPE	DIMENSIONS		INDUCTANCE		LEAD FREE

SHAPES / DIMENSIONS & RECOMMENDED PATTERNS

UNIT : mm



Features

- Low profile 3.5 mm design
- Low DCR for high efficiency power conversion
- High saturation current capability
- Magnetically shielded construction
- Excellent thermal performance
- Optimized for high current multiphase VRM designs
- Suitable for high frequency switching regulators
- Low EMI emission
- RoHS compliant

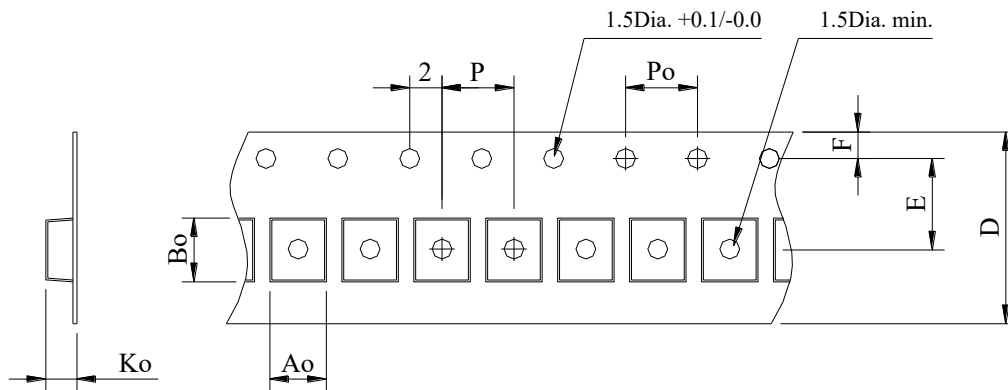
Applications

- AI Servers
- GPU Accelerator Cards
- Data Center Equipment
- FPGA Platforms
- High Performance Computing
- Networking Equipment
- Telecom Infrastructure
- POL Converters

SPECIFICATION TABLE

PART NUMBER	INDUCTANCE (nH)	DCR (mΩ)	I rms Amps	I sat (peak) Amps	SRF (MHz) Typ
SBP141403-R10M-LF	100±10%	0.28mΩ±10%	31	82.6	87
SBP141403-R12M-LF	120±20%	0.28mΩ±10%	31	71.3	85
SBP141403-R15M-LF	150±20%	0.28mΩ±10%	31	64.8	84
SBP141403-R18M-LF	180±20%	0.28mΩ±10%	31	58.4	63
SBP141403-R22M-LF	220±20%	0.28mΩ±10%	31	43.0	60

- Isat: DC current at which the inductance drops 30% (typ.) from its value without current.
- Irms: Average current for 40°C temperature rise from 25°C ambient.
- Test conditions: 100 kHz/ 10 mA
- Operating Temperature: -40 °C up to +125 °C
- Moisture Sensitivity Level (MSL) : Level 1
- The operating temperature rise is influenced by PCB design, mounting conditions, airflow, and nearby heat sources. Customers are recommended to verify thermal performance in their end application.
- Performance Rated Current: Measured according to IEC 62024-2:2020, Class D.

PACKAGING SPECIFICATION


STAYLE	Q'TY (PCS)	DIMENSIONS (m/m)							
		Ao	Bo	Ko	P	Po	D	E±0.1	F±0.1
13~16	600	14.3	14.2	4.1	20.0±0.1	4.0	24.0±0.3	11.5	1.75

Inner Box : 600pcs

Carton Qty : 2,400pcs