

SDS1608 SERIES ~ SMD Shielded Power Inductors

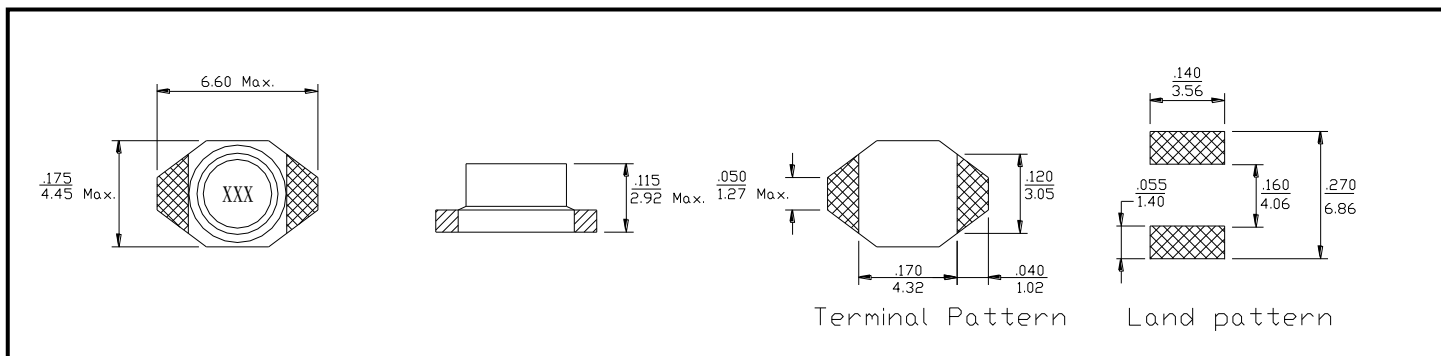


PART NUMBERING SYSTEM

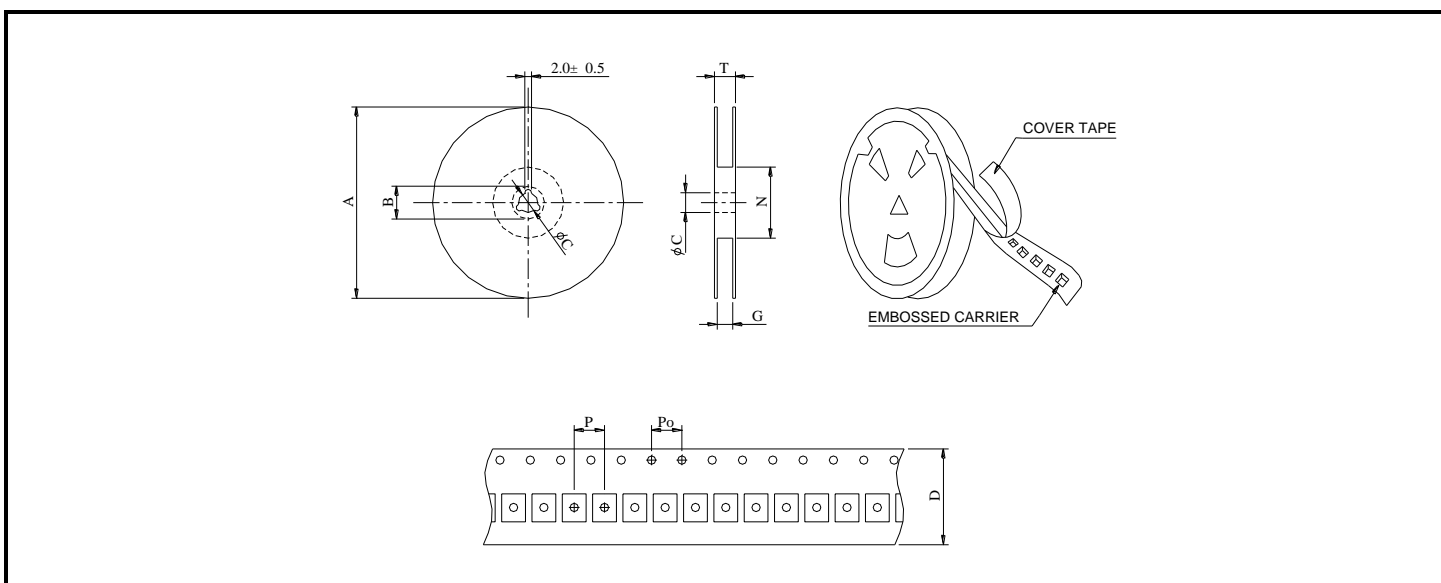
SDS	1608	—	330M	—	LF
TYPE	DIMENSIONS		INDUCTANCE		LEAD FREE

SHAPES AND DIMENSIONS

UNIT : mm



PACKAGING SPECIFICATION



SERIES	STAYLE	Q' TY (PCS)	DIMENSIONS (m/m)								
			A	B±0.8	C±0.5	D	G ⁺⁰	N ⁻⁰	P	Po	T
SDS1608	13-16	2000	330	21	13	16	18	50	8	4	22.4

SDS1608 SERIES ~ SMD Shielded Power Inductors



SPECIFICATION TABLE

PART NUMBER	INDUCTANCE (μ H)	DCR (Ω) (Max.)	Isat (A) (Max.)	Q (Min.)	SRF(MHz) (Ref.)
SDS1608-1R0M-LF	1.0 \pm 20%	0.040	1.40	30 @ 200 kHz	250
SDS1608-1R5M-LF	1.5 \pm 20%	0.045	0.93	30 @ 200 kHz	125
SDS1608-2R2M-LF	2.2 \pm 20%	0.050	0.92	40 @ 200 kHz	120
SDS1608-3R3M-LF	3.3 \pm 20%	0.055	0.75	40 @ 200 kHz	120
SDS1608-4R7M-LF	4.7 \pm 20%	0.060	0.58	40 @ 200 kHz	105
SDS1608-6R8M-LF	6.8 \pm 20%	0.065	0.58	40 @ 200 kHz	50
SDS1608-8R2M-LF	8.2 \pm 20%	0.070	0.47	40 @ 200 kHz	42
SDS1608-100M-LF	10 \pm 20%	0.075	0.37	40 @ 200 kHz	38
SDS1608-150M-LF	15 \pm 20%	0.090	0.31	40 @ 100 kHz	33
SDS1608-220M-LF	22 \pm 20%	0.11	0.30	40 @ 100 kHz	25
SDS1608-330M-LF	33 \pm 20%	0.19	0.30	40 @ 100 kHz	20
SDS1608-470M-LF	47 \pm 20%	0.23	0.24	40 @ 100 kHz	20
SDS1608-680M-LF	68 \pm 20%	0.29	0.17	40 @ 100 kHz	15
SDS1608-101M-LF	100 \pm 20%	0.48	0.13	40 @ 100 kHz	10
SDS1608-151M-LF	150 \pm 20%	0.59	0.10	40 @ 100 kHz	9
SDS1608-221M-LF	220 \pm 20%	0.77	0.10	40 @ 100 kHz	6
SDS1608-331M-LF	330 \pm 20%	1.40	0.070	40 @ 100 kHz	5
SDS1608-471M-LF	470 \pm 20%	1.80	0.060	40 @ 100 kHz	4
SDS1608-681M-LF	680 \pm 20%	2.20	0.055	40 @ 100 kHz	3
SDS1608-102M-LF	1000 \pm 20%	3.40	0.045	40 @ 100 kHz	2
SDS1608-152M-LF	1500 \pm 20%	4.20	0.035	50 @ 100 kHz	2
SDS1608-222M-LF	2200 \pm 20%	8.50	0.028	50 @ 100 kHz	2
SDS1608-332M-LF	3300 \pm 20%	11.0	0.024	50 @ 100 kHz	1
SDS1608-472M-LF	4700 \pm 20%	25.0	0.021	50 @ 100 kHz	1
SDS1608-682M-LF	6800 \pm 20%	25.0	-	50 @ 100 kHz	1
SDS1608-103M-LF	10000 \pm 20%	38.0	-	50 @ 100 kHz	0.8

- Inductance tested at 100 kHz, 0.1 Vrms.
- DC current at which the inductance drops 30% (typ) from its value without current.
- Operating temperature range -40°C to +125°C , Electrical specifications at 25°C .
- Electrical specifications at 25°C.