

## Shielded SMD Power Inductors - SDS73H SERIES

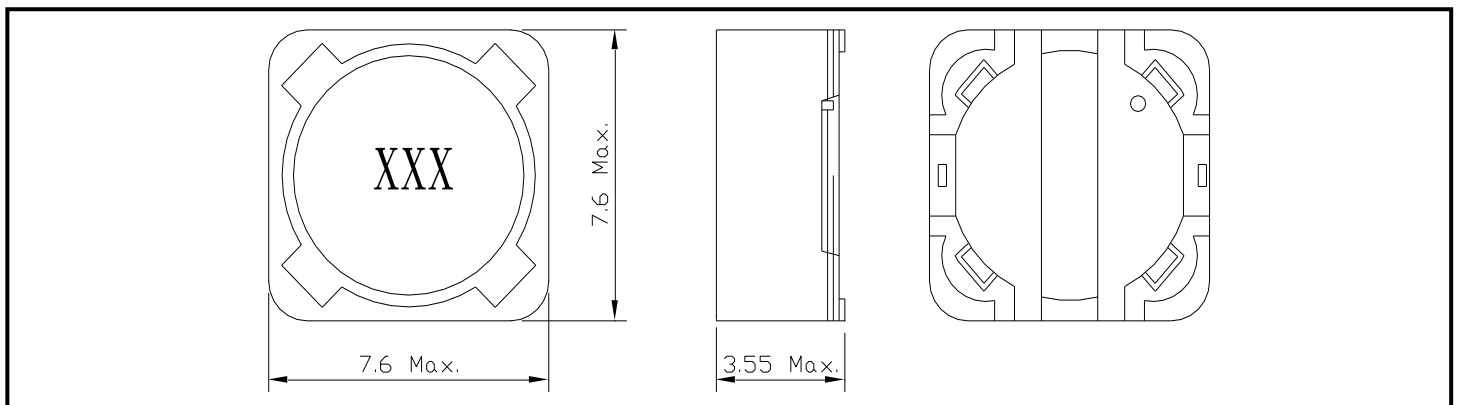


### PART NUMBERING SYSTEM

<b>SDS</b>	<b>73H</b>	—	<b>330M</b>	—	<b>LF</b>
TYPE	DIMENSIONS		INDUCTANCE		LEAD FREE

### SHAPES AND DIMENSIONS

UNIT : mm



### Product features

- Shielded drum core inductors
- Inductance range from 0.33  $\mu$ H to 1000  $\mu$ H
- Current range up to 14.4 A peak
- Magnetically shielded construction
- Ferrite core material
- Automotive grade / customized specification available

### Applications

- Portable and handheld devices
- LCD panels
- DC-DC converters
- Buck, boost, forward, and resonant converters
- Noise filtering and filter chokes
- Desktop and servers
- Other electric instrument need higher efficiency



## Shielded SMD Power Inductors - SDS73H SERIES

### SPECIFICATION TABLE

PART NUMBER	INDUCTANCE ( $\mu$ H)	DCR ( $\Omega$ ) (Max.)	Isat (A) (Max.)	Irms (A) (Max.)	TEST FREQ. ( Freq.)
SDS73H-R33M-LF	0.33 $\pm$ 20%	0.0095	14.4	6.21	100KHz
SDS73H-1R0M-LF	1.00 $\pm$ 20%	0.0133	7.97	5.28	100KHz
SDS73H-1R5M-LF	1.50 $\pm$ 20%	0.0169	6.52	4.67	100KHz
SDS73H-2R2M-LF	2.20 $\pm$ 20%	0.0215	5.52	4.15	100KHz
SDS73H-3R3M-LF	3.30 $\pm$ 20%	0.0337	4.22	3.31	100KHz
SDS73H-4R7M-LF	4.70 $\pm$ 20%	0.0330	3.78	3.09	100KHz
SDS73H-6R8M-LF	6.80 $\pm$ 20%	0.0544	3.12	2.55	100KHz
SDS73H-8R2M-LF	8.20 $\pm$ 20%	0.0770	2.66	2.19	100KHz
SDS73H-100M-LF	10 $\pm$ 20%	0.0787	2.47	2.08	100KHz
SDS73H-150M-LF	15 $\pm$ 20%	0.1100	2.05	1.83	100KHz
SDS73H-220M-LF	22 $\pm$ 20%	0.1340	1.67	1.62	100KHz
SDS73H-270M-LF	27 $\pm$ 20%	0.1800	1.52	1.48	100KHz
SDS73H-330M-LF	33 $\pm$ 20%	0.2158	1.35	1.31	100KHz
SDS73H-470M-LF	47 $\pm$ 20%	0.2892	1.14	1.08	100KHz
SDS73H-560M-LF	56 $\pm$ 20%	0.4700	0.90	0.90	100KHz
SDS73H-680M-LF	68 $\pm$ 20%	0.4480	0.96	0.89	100KHz
SDS73H-820M-LF	82 $\pm$ 20%	0.4992	0.89	0.86	100KHz
SDS73H-101M-LF	100 $\pm$ 20%	0.6851	0.79	0.73	100KHz
SDS73H-121M-LF	120 $\pm$ 20%	0.8540	0.73	0.73	100KHz
SDS73H-151M-LF	150 $\pm$ 20%	1.0212	0.65	0.58	100KHz
SDS73H-221M-LF	220 $\pm$ 20%	1.2600	0.53	0.52	100KHz
SDS73H-271M-LF	270 $\pm$ 20%	1.6840	0.489	0.47	100KHz
SDS73H-331M-LF	330 $\pm$ 20%	2.0670	0.44	0.42	100KHz
SDS73H-391M-LF	390 $\pm$ 20%	2.4960	0.41	0.39	100KHz
SDS73H-471M-LF	470 $\pm$ 20%	3.0700	0.37	0.35	100KHz
SDS73H-561M-LF	560 $\pm$ 20%	3.6860	0.344	0.30	100KHz
SDS73H-681M-LF	680 $\pm$ 20%	4.5110	0.31	0.29	100KHz
SDS73H-821M-LF	820 $\pm$ 20%	5.1090	0.28	0.27	100KHz
SDS73H-102M-LF	1000 $\pm$ 20%	5.6420	0.25	0.26	100KHz

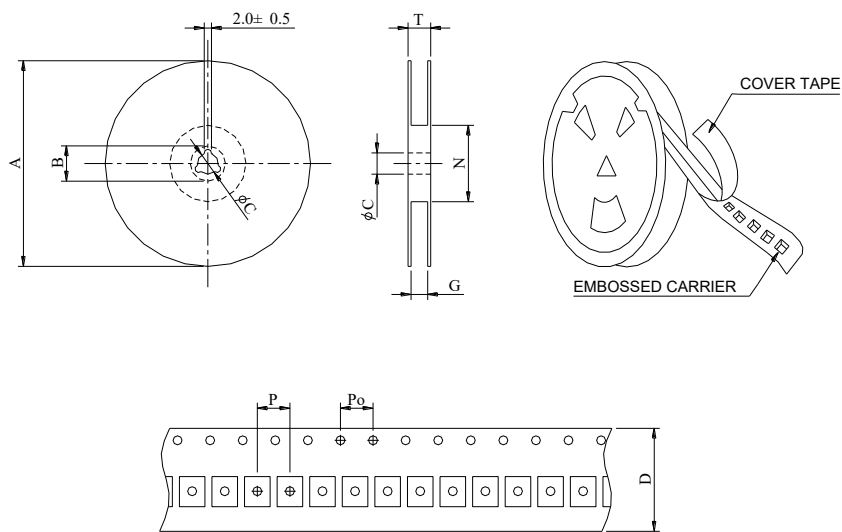
- Isat current at which the inductance drops 30% (typ.) from its value without current.
- Irms current for an approximate delta T of 40 °C without core loss
- Operating temperature range -40°C to +125°C.
- Electrical specifications at 25°C .

Circuit design, component placement, PWB trace size and thickness, airflow and other cooling provision all affect the part temperature.

Part temperature should be verified in the end application.



**PACKAGING SPECIFICATION**



SERIES	STAYLE	Q' TY (PCS)	DIMENSIONS (m/m)								
			A	B±0.8	C±0.5	D	G <sup>+0</sup>	N <sup>0</sup>	P	Po	T
SDS73H	13-16	1000	330	21	13	16	18	50	12	4	22.4