

Automotive Molded High Current Inductors – SEP1005T

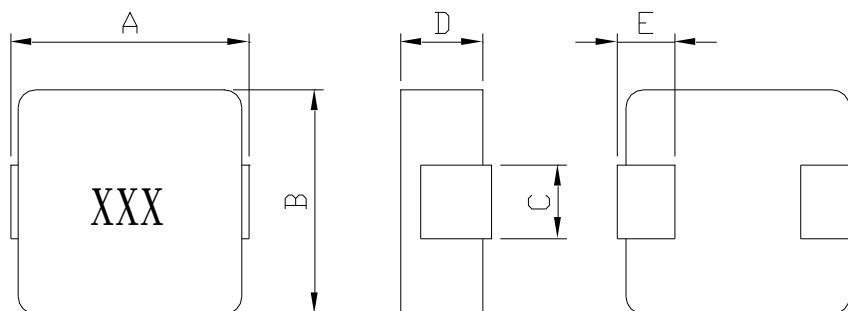


PART NUMBERING SYSTEM

<u>SEP</u>	-	<u>1005T</u>	-	<u>100</u>	-	<u>LF</u>	-	<u>A</u>
TYPE		DIMENSIONS		INDUCTANCE		LEAD FREE		AUTOMOTIVE

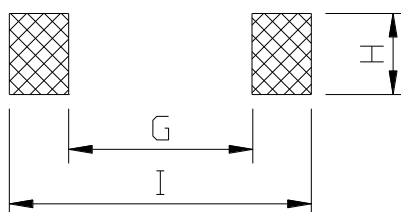
FEATURES :

- AEC-Q200 Grade 1 qualified
- Magnetically shielded with high current carrying capacity.
- Inductance range: 0.68uH to 100uH with DC Current up to 46A.
- Ideal for Body electronics, Advanced driver assistance systems and Infotainment and cluster electronics.
- Frequency range up to 1.0 MHz
- Ultra low buzz noise, due to composite construction.
- Lead Free with RoHS compliant.
- Operating temperature range: -55 °C to +155 °C (ambient plus self-temperature rise)
- **SHAPES AND DIMENSIONS :**



A=11.0±0.30 B=10.0±0.30 C=4.5±0.3 D=5.4 Max. E=2.2±0.5 UNIT : mm

RECOMMENDED PATTERNS



H=5.0 G= 4.9 I = 12.9 UNIT : mm

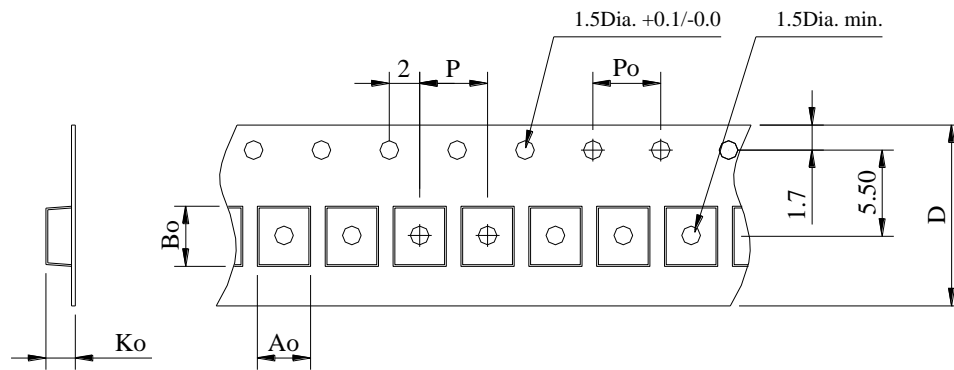


SPECIFICATION TABLE

PART NUMBER	INDUCTANCE (μH)	Isat (A) (Typ.)	I _{rms} (A) (Typ.)	DCR (mΩ) (Max.)	TEST FREQ. (Freq.)
SEP1005T-R68M-LF-A	0.68±20%	46.0	32.0	2.22	100KHz/1V
SEP1005T-1R0M-LF-A	1.0±20%	37.0	30.0	2.73	100KHz/1V
SEP1005T-1R5M-LF-A	1.5±20%	26.8	24.8	4.2	100KHz/1V
SEP1005T-2R2M-LF-A	2.2±20%	25.0	23.0	4.9	100KHz/1V
SEP1005T-3R3M-LF-A	3.3±20%	19.0	18.7	7.4	100KHz/1V
SEP1005T-4R7M-LF-A	4.7±20%	15.7	14.5	10.0	100KHz/1V
SEP1005T-6R8M-LF-A	6.8±20%	13.3	12.0	14.0	100KHz/1V
SEP1005T-100M-LF-A	10±20%	12.7	8.7	24.2	100KHz/1V
SEP1005T-150M-LF-A	15±20%	9.2	7.6	31.3	100KHz/1V
SEP1005T-220M-LF-A	22±20%	8.8	6.0	50.0	100KHz/1V
SEP1005T-330M-LF-A	33±20%	7.6	4.8	75.3	100KHz/1V
SEP1005T-470M-LF-A	47±20%	4.9	4.1	103	100KHz/1V
SEP1005T-680M-LF-A	68±20%	4.2	3.3	152	100KHz/1V
SEP1005T-101M-LF-A	100±20%	3.5	2.8	234	100KHz/1V

- I_{sat} : DC current at which the inductance drops 30% (typ) from its value without current.
- I_{rms} : Average current for a 40°C temperature rise above 25°C ambient.
- Operating temperature range -55°C to +155°C , Electrical specifications at 25°C .

PACKAGING SPECIFICATION



STAYLE	Q'TY (PCS)	DIMENSIONS (m/m)					
		Ao	Bo	Ko	P	Po	D±0.3
13"	500	10.4	11.6	5.7	16	4.0	24