



## Miniature Semi-shielded Low Profile Inductors ~ SQH2010SHA

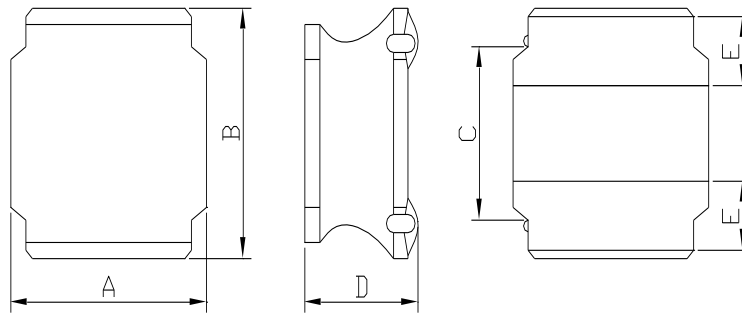


### PART NUMBERING SYSTEM

<b>SQH</b>	<b>2010SHA</b>	—	<b>4R7M</b>	—	<b>LF</b>
TYPE	DIMENSIONS		INDUCTANCE		LEAD FREE

### SHAPES AND DIMENSIONS

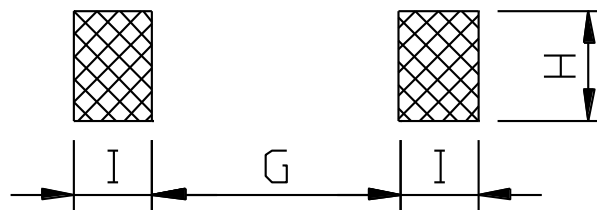
UNIT : mm



**A=2.0±0.3 B=1.6±0.3 C=1.4 Typ. D=1.1 Max**

### RECOMMENDED PATTERNS

UNIT : mm



**G=0.7 Ref. H=1.4 Ref. I=0.7 Ref.**

### FEATURES

1. Very small power inductor - only 1.10 mm high, 2.0 mm\*1.6mm.
2. Handles current up to 4.5A (Isat), 3.0A (Irms)
3. Inductance range from 0.24uH to 10uH
4. RoHS-compliant – 260°C compatible
5. Automotive grade / Customized available



## SQH2012S SERIES ~ Low Profile SMD Power Inductors



### SPECIFICATION TABLE

PART NUMBER	INDUCTANCE ( $\mu$ H)	DCR (m $\Omega$ ) (Max.)	Isat (A) (Max.)	Irms (A) (Max.)	Test Freq. ( Hz )
SQH2010SHA-R24N-LF	0.24 $\pm$ 30%	40	4.50	3.00	100KHz/1V
SQH2010SHA-R33N-LF	0.33 $\pm$ 30%	49	4.40	2.70	100KHz/1V
SQH2010SHA-R47N-LF	0.47 $\pm$ 30%	49	4.00	2.70	100KHz/1V
SQH2010SHA-R68N-LF	0.68 $\pm$ 30%	65	3.50	2.50	100KHz/1V
SQH2010SHA-1R0N-LF	1.0 $\pm$ 30%	95	3.30	2.00	100KHz/1V
SQH2010SHA-1R5N-LF	1.5 $\pm$ 30%	130	1.95	1.70	100KHz/1V
SQH2010SHA-2R2M-LF	2.2 $\pm$ 20%	180	1.90	1.40	100KHz/1V
SQH2010SHA-3R3M-LF	3.3 $\pm$ 20%	307	1.40	1.10	100KHz/1V
SQH2010SHA-4R7M-LF	4.7 $\pm$ 20%	425	1.10	0.90	100KHz/1V
SQH2010SHA-6R8M-LF	6.8 $\pm$ 20%	620	0.95	0.70	100KHz/1V
SQH2010SHA-8R2M-LF	8.2 $\pm$ 20%	870	0.86	0.66	100KHz/1V
SQH2010SHA-100M-LF	10.0 $\pm$ 20%	875	0.80	0.60	100KHz/1V

- Inductance using an Agilent/HP 4284A LCR meter or equivalent.
- Isat: DC current at which the inductance drops 30% (max) from its value without current.
- Irms: Current that causes specified temperature rise from 25°C ambient.
- Operating temperature range -40°C to +125°C ,
- Electrical specifications at 25°C .
- Reel quantity: 2000 PCS